

FEATURES	APPLICATIONS
<ul style="list-style-type: none"> - GPS & GLONASS - Low Temperature Coefficient Of Frequency - Stable And Reliable Performance - 1575.42MHz & 1598-1606MHz - Compact Size With Efficient Reception 	<ul style="list-style-type: none"> - Satellite Navigation And Tracking Systems - Vehicle/Vessel Management Systems - Base Station Of Cellular Phone Systems - Smart Hand Held Devices - For Use With a 70mm x 70mm Ground Plate



PART NUMBERING GUIDE

SUNTSU → **S** **AT** **PA** - **15A15A4A** - **GP** **B7** ← **FREQUENCY BAND (MHz)**

ANTENNA → **AT**

PATCH ANTENNA → **PA**

APPLICATION
GP: GPS

*** PACKAGE SIZE**
15A15A4A: 15.0mm x 15.0mm x 4.0mm

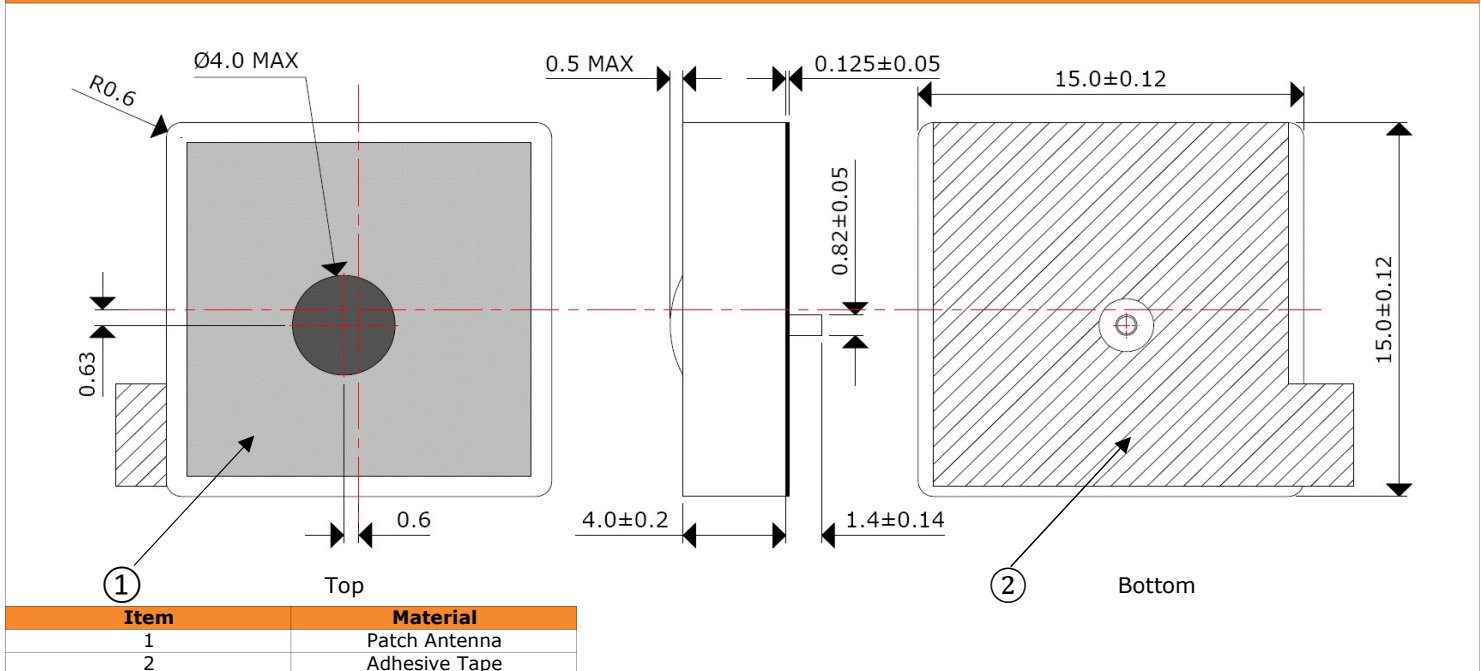
B7: 1575.42MHz Using a 70x70mm Ground Plate
1598-1606MHz

* Where letters denote decimal location A=.0, B=.1, C=.2, etc. Ex: B5=0.15, 3A5=3.05, 9A=9.0
To customize your parameters, contact a Suntsu representative.

ELECTRICAL PARAMETERS (FOR GPS MODE)	UNITS	MIN.	TYP.	MAX	REMARKS
Frequency Band	MHz		1575.42		
Impedance	Ω		50		
Polarization			RHCP		
Peak Gain	dBi		2.5		At 1575.42MHz
Frequency Temperature Coefficient	ppm/°C			0 ±20	
VSWR				2	At Center Frequency
Operating Temperature	°C	-40		85	

ELECTRICAL PARAMETERS (FOR GLONASS MODE)	UNITS	MIN.	TYP.	MAX	REMARKS
Frequency Band	MHz	1598		1606	
Impedance	Ω		50		
Polarization			RHCP		
Peak Gain	dBi		2.5		At Center Frequency
Frequency Temperature Coefficient	ppm/°C			0 ±20	
VSWR				2	At Center Frequency
Operating Temperature	°C	-40		85	

OUTLINE DRAWING (NOTE: All dimensions are in millimeters [mm], unless otherwise noted. Drawings are not to scale.)

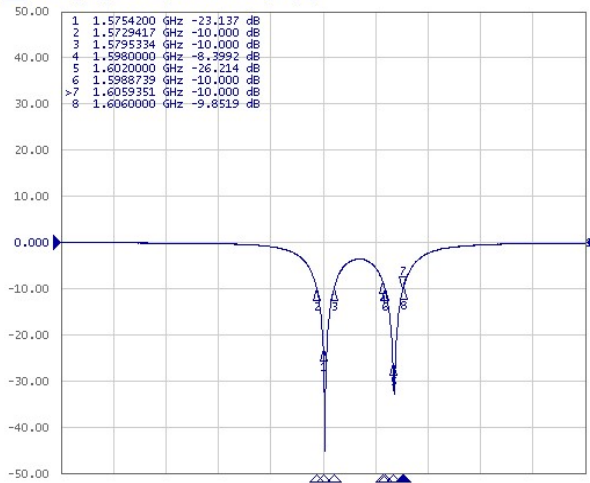


Item	Material
1	Patch Antenna
2	Adhesive Tape

ELECTRICAL TEST

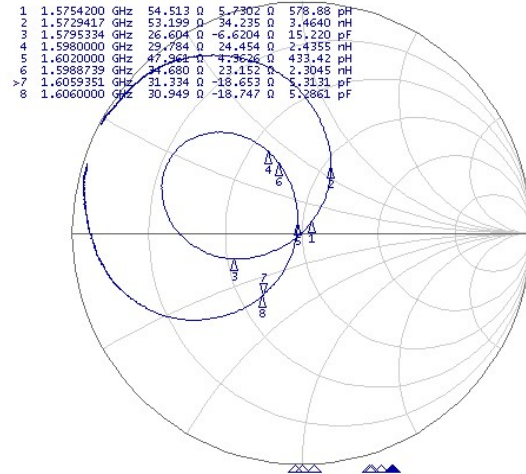
Return Loss

S11 Log Mag 10.00dB/ Ref 0.000dB [F1 D/M]



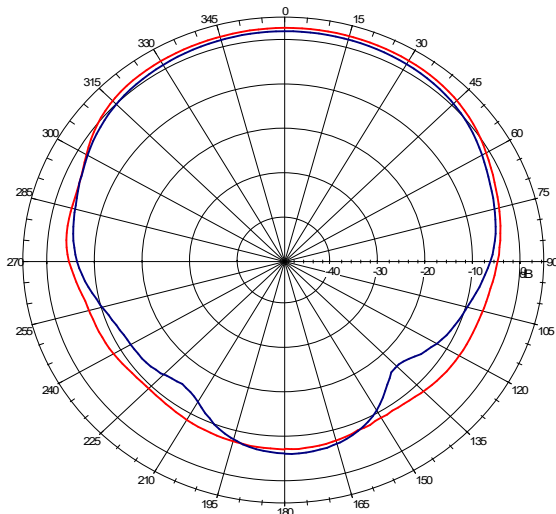
SMITH CHART

S11 Smith (R+jX) Scale 1.0000 [F1 D/M]

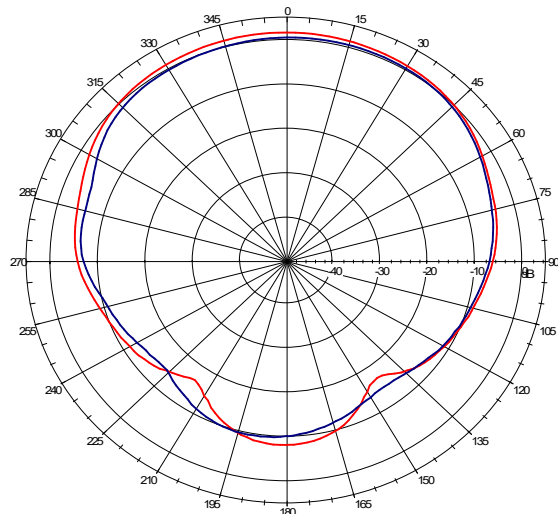


RADIATION PATTERN (UNIT: dBi)

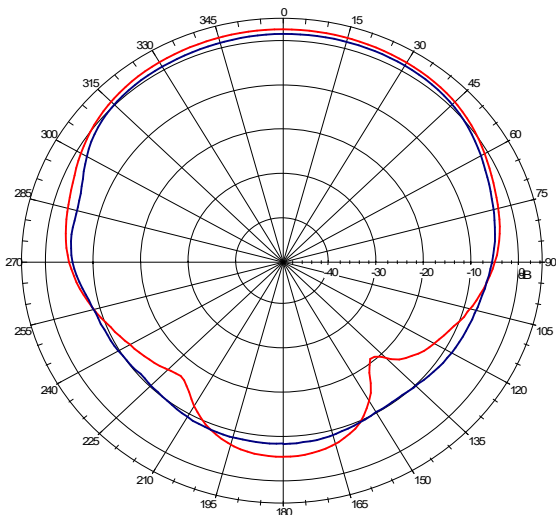
1575.42MHz



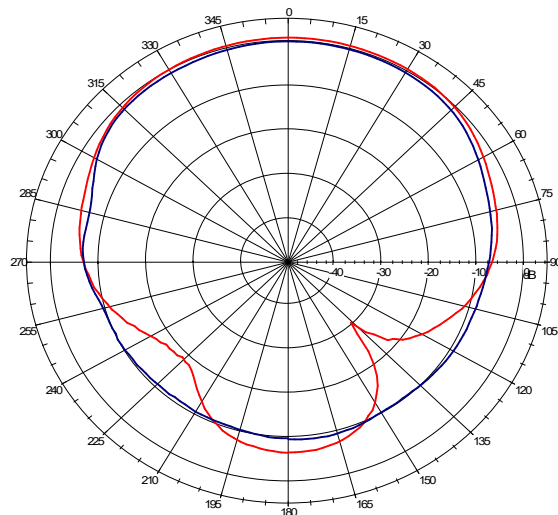
1598MHz

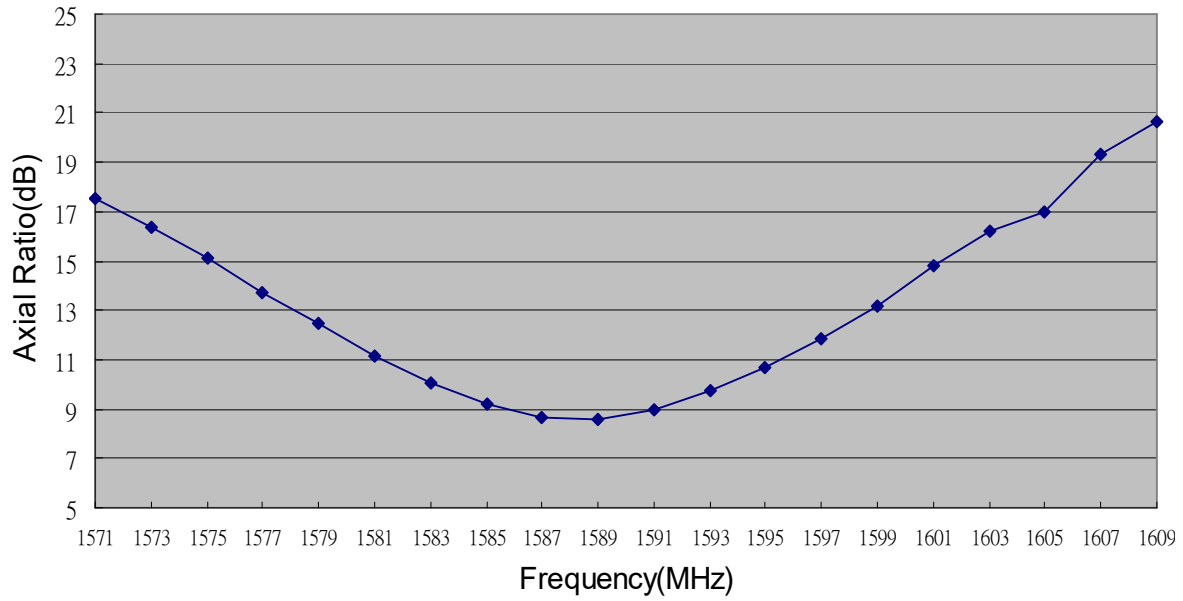


1602MHz



1606MHz



AXIAL RATIO (70MM X 70MM GROUND PLANE)

ENVIRONMENTAL & MECHANICAL SPECIFICATIONS

High Temperature Test	85°C for 240 hours, and then to normal temperature/humidity for 24hours.
Low Temperature Test	-30°C for 240 hours, and then to normal temperature/humidity for 24hours.
Humidity Test	85°C / 90-95% for 96 hours, and then to normal temperature/humidity for 24hours.