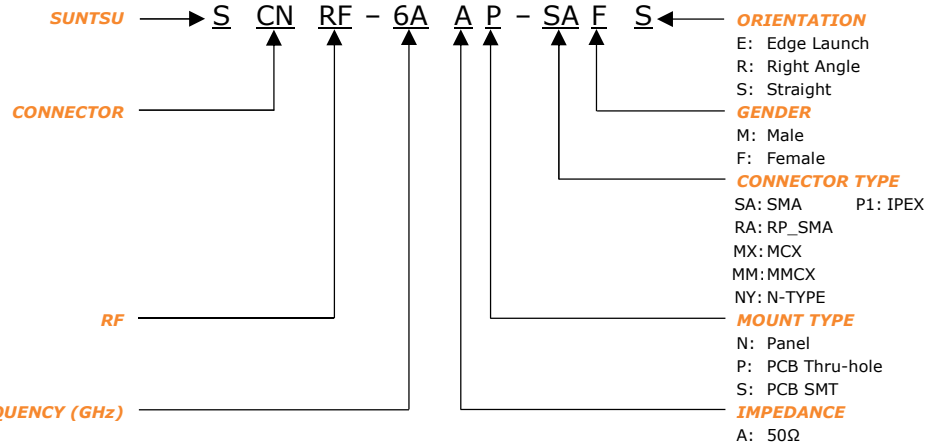


FEATURES	APPLICATIONS
<ul style="list-style-type: none"> <li>- Popular Coax RF Connectors For Wireless Applications</li> <li>- Frequency Range Up To 6 GHz</li> <li>- 50Ω Impedance</li> <li>- Variety Of On-Board And Panel Mount Types</li> </ul>	<ul style="list-style-type: none"> <li>- Radio Communication</li> <li>- Wi-Fi And Cellular Antennas</li> <li>- Telecommunications And Microwave</li> <li>- Smart Grid And Automated Metering</li> <li>- Machine To Machine Communications</li> </ul>

### PART NUMBERING GUIDE



\* Where letters denote decimal location A=.0, B=.1, C=.2, etc. Ex: B5=0.15, 3A5=3.05, 9A=9.0  
 To customize your parameters, contact a Suntsu representative.

ELECTRICAL PARAMETERS (At 25°C)	UNITS	SMA	RP-SMA	MCX	MMCX	N-TYPE	I-PEX
Impedance	Ω	50					
Frequency Range	GHz	0 - 6					
Voltage Standing Wave Ratio (VSWR)	Max.	1.5	1.7	1.5	1.5	1.5	1.4
Working Voltage	Vrms Max.	335	335	170	1000	200	
Dielectric Withstanding Voltage	Vrms Min.	1000	1000	500	2500	200	
Operating Temperature	°C	-65 to 165					
Storage Temperature		-65 to 165					
Center Contact Resistance	mΩ Max.	6	6	6	6	20	
Outer Contact Resistance	mΩ Max.	2	2.5	2.5	2	10	
Insulation Resistance	MΩ Min.	1000	1000	1000	5000	500	

### CONNECTORS DIMENSIONS (NOTE: All dimensions are in millimeters [mm], unless otherwise noted. Drawings are not to scale.)

**SMA PCB Mount Female Right Angle Connector  
SCNRF-6AAP-SAFR**

COMPONENT	MATERIAL	FINISH
BODY	BRASS	GOLD
BERYLLIUM COPPER	BRASS	GOLD
DIELECTRIC	TEFLON	-

Recommended Mounting Layout

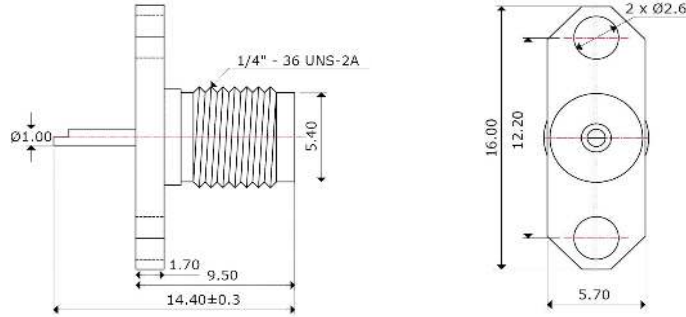
**SMA PCB Mount Female Straight Connector  
SCNRF-6AAP-SAFS**

COMPONENT	MATERIAL	FINISH
BODY	BRASS	GOLD
CENTER CONTACT	BRASS	GOLD
DIELECTRIC	TEFLON	-

Recommended Mounting Layout

**CONNECTORS SPECIFICATIONS** (NOTE: All dimensions are in millimeters [mm], unless otherwise noted. Drawings are not to scale.)

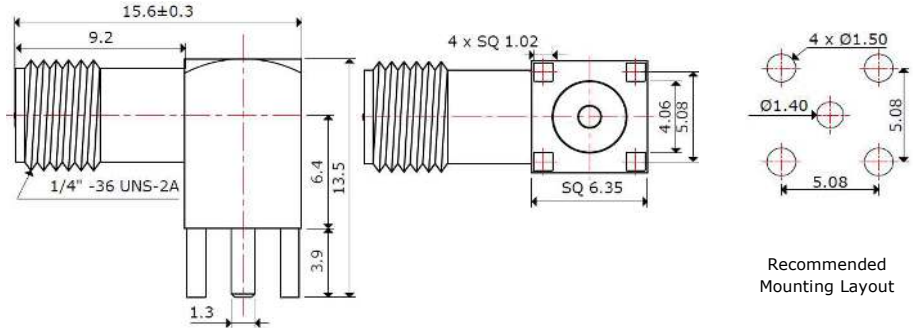
**SMA Panel Mount Female Straight Connector  
SCNRF-6AAN-SAFS**



Recommended Mounting Layout

COMPONENT	MATERIAL	FINISH
BODY	BRASS	GOLD
CENTER CONTACT	BERYLLIUM COPPER	GOLD
DIELECTRIC	TEFLON	-

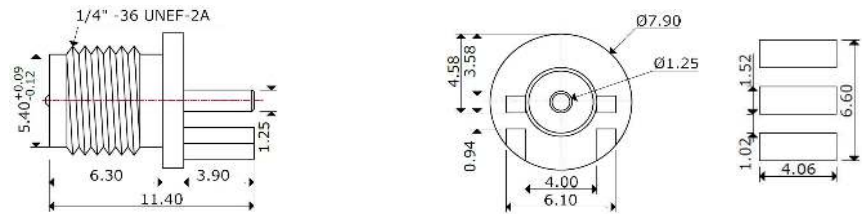
**RP-SMA PCB Mount Female Right Angle Connector  
SCNRF-6AAP-RAFI**



Recommended Mounting Layout

COMPONENT	MATERIAL	FINISH
BODY	BRASS	GOLD
CENTER CONTACT	BRASS	GOLD
DIELECTRIC	TEFLON	-

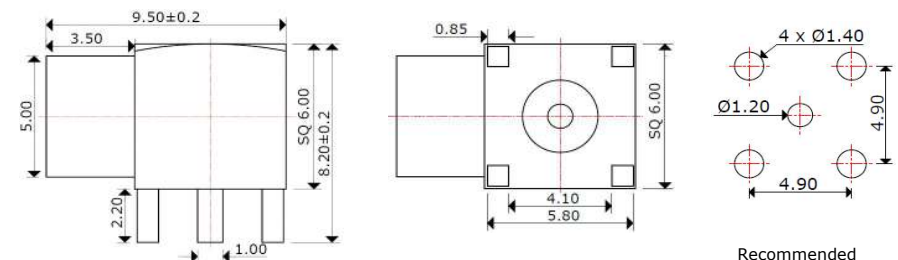
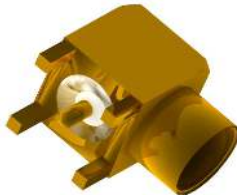
**RP-SMA PCB Edge Launch Female Connector  
SCNRF-6AAS-RAFE**



Recommended Mounting Layout

COMPONENT	MATERIAL	FINISH
BODY	BRASS	GOLD
CENTER CONTACT	BRASS	GOLD
DIELECTRIC	TEFLON	-

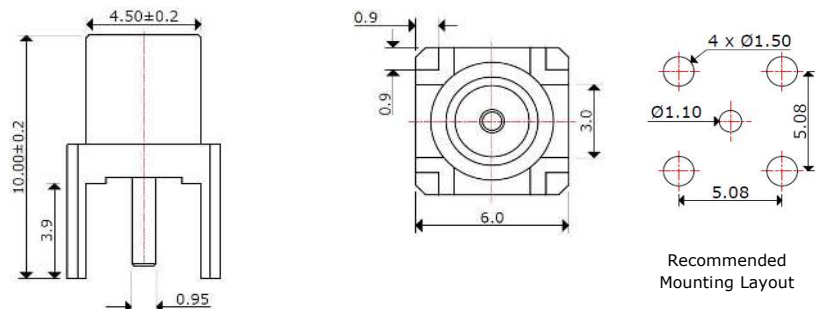
**MCX PCB Mount Female Right Angle Connector  
SCNRF-6AAP-MXFR**



Recommended Mounting Layout

COMPONENT	MATERIAL	FINISH
BODY	BRASS	GOLD
CENTER CONTACT	PHOSPHOR BRONZE	GOLD
DIELECTRIC	TEFLON	-

**MCX PCB Mount Female Straight Connector  
SCNRF-6AAP-MXFS**

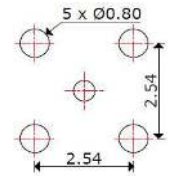
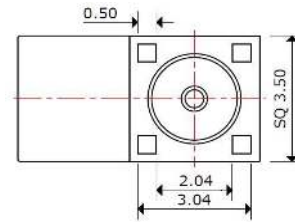
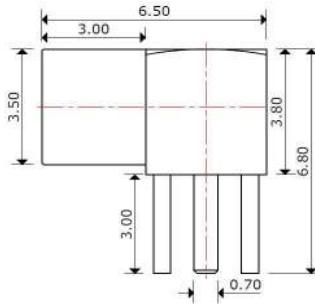
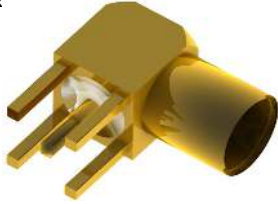


Recommended Mounting Layout

COMPONENT	MATERIAL	FINISH
BODY	BRASS	GOLD
CENTER CONTACT	BERYLLIUM COPPER	GOLD
DIELECTRIC	TEFLON	-

**CONNECTORS SPECIFICATIONS** (NOTE: All dimensions are in millimeters [mm], unless otherwise noted. Drawings are not to scale.)

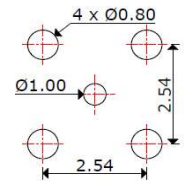
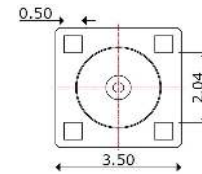
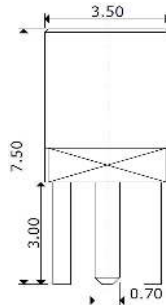
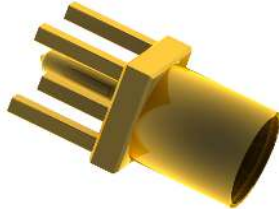
**MMCX PCB Mount Female Right Angle Connector  
SCNRF-6AAP-MMFR**



Recommended Mounting Layout

COMPONENT	MATERIAL	FINISH
BODY	BRASS	GOLD
CENTER CONTACT	BERYLLIUM COPPER	GOLD
DIELECTRIC	TEFLON	-

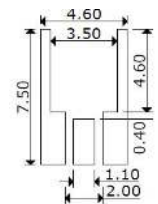
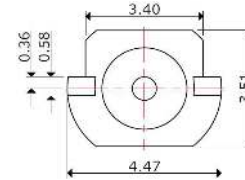
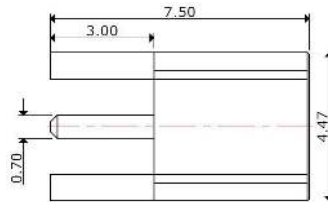
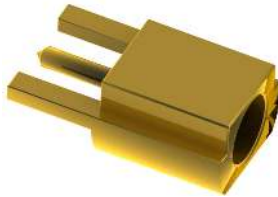
**MMCX PCB Mount Female Straight Connector  
SCNRF-6AAP-MMFS**



Recommended Mounting Layout

COMPONENT	MATERIAL	FINISH
BODY	BRASS	GOLD
CENTER CONTACT	BERYLLIUM COPPER	GOLD
DIELECTRIC	TEFLON	-

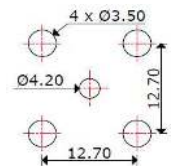
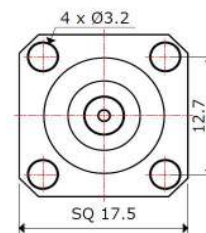
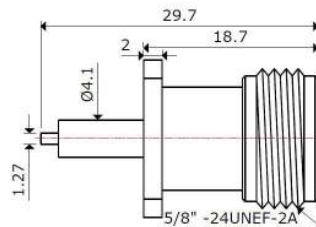
**MMCX Edge Mount Female Connector  
SCNRF-6AAS-MMFE**



Recommended Mounting Layout

COMPONENT	MATERIAL	FINISH
BODY	BRASS	GOLD
CENTER CONTACT	BERYLLIUM COPPER	GOLD
DIELECTRIC	TEFLON	-

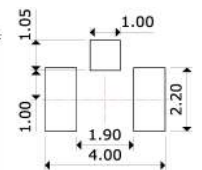
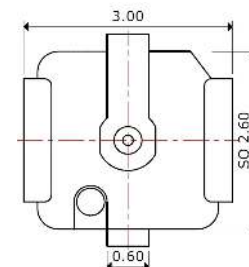
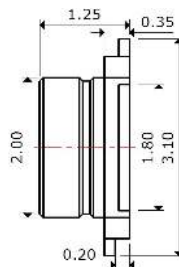
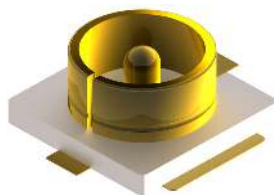
**N-Type Panel Mount Female Straight Connector  
SCNRF-6AAN-NYFS**



Recommended Mounting Layout

COMPONENT	MATERIAL	FINISH
BODY	BRASS	NICKEL
CENTER CONTACT	PHOSPHOR BRONZE	GOLD
DIELECTRIC	TEFLON	-

**IPEX Panel Mount Female Straight Connector  
SCNRF-6AAN-P1FS**



Recommended Mounting Layout

COMPONENT	MATERIAL	FINISH
BODY	PLASTIC (LPC)	WHITE
CENTER CONTACT	COPPER ALLOY	GOLD