

FEATURES	APPLICATIONS
<ul style="list-style-type: none"> - Stratum 3 (Overall ± 4.6ppm) - CMOS - (VC)TCXO - RoHS Compliant - Tape and Reel 	<ul style="list-style-type: none"> - Base Stations - Stratum 3 - Small Cell



PART NUMBERING GUIDE

SUNTSU STRATUM 3 TCXO → **SST 75 C 33 S 48 V F - 16.384M** ← **FREQUENCY (MHz)**

7.0mm x 5.0mm

CMOS

SUPPLY VOLTAGE
 33: 3.3V $\pm 5\%$
 50: 5.0V $\pm 5\%$

FREQUENCY STABILITY
 F: ± 0.50 ppm
 S: ± 0.37 ppm
 T: ± 0.28 ppm
 *U: ± 0.14 ppm

PULLABILITY
 BLANK: TCXO
 F: ± 8.0 ppm
 G: ± 5.0 ppm

TCXO/ VCTCXO
 BLANK: TCXO
 V: VCTCXO

OPERATING TEMPERATURE RANGE
 07: 0°C to +70°C
 16: -10°C to +60°C
 27: -20°C to +70°C
 48: -40°C to +85°C

Cage Code: 4GUT4
 To customize your parameters contact a Suntsu representative.
 *Option U is available only for -20°C to +70°C.

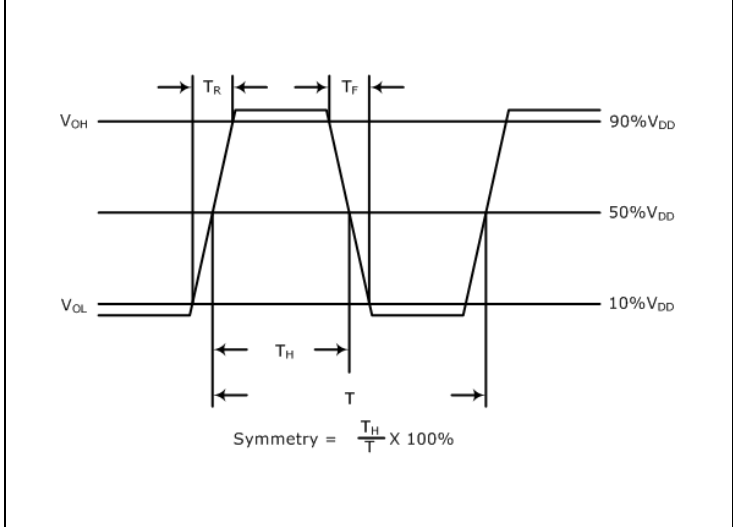
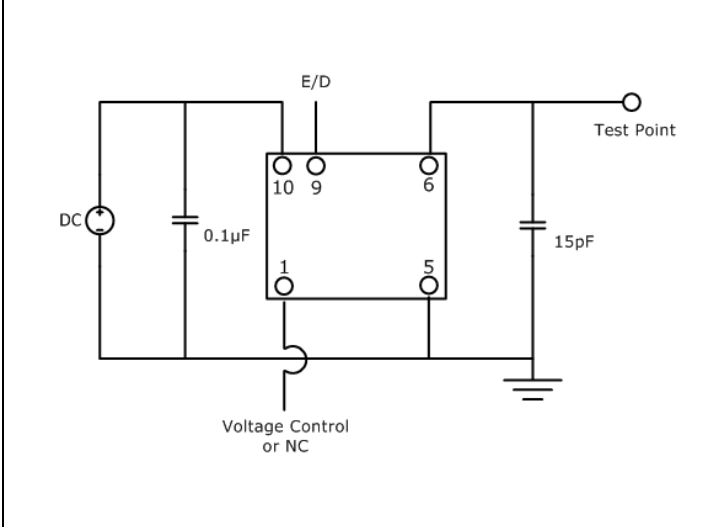
ELECTRICAL PARAMETERS	UNITS	MIN.	TYP.	MAX.	REMARKS
Frequency Range	MHz	5		26	
Frequency Stability (Includes Initial Tolerance at 25°C, Frequency Stability over Operating Temperature, Output Load Change, Supply Voltage Change, and 20 Years Aging at 25°C.)	ppm	-4.6		4.6	
Frequency Stability vs. Operating Temperature		-0.28		0.28	See part numbering guide for options.
Holdover Stability		-0.37		0.37	
Operating Temperature	°C	-40		+85	See part numbering guide for options.
Storage Temperature		-55		+125	
Supply Voltage (V _{DD})	V	3.135	3.3	3.465	
		4.750	5.0	5.250	
Current (I _{DD})	mA			6	
Control Voltage (V _C , VCTCXO)	V	0.5		2.5	
		0.5		2.5	
Pullability (VCTCXO)	ppm	± 5.0		± 8.0	See part numbering guide for options.
Linearity (VCTCXO)	%			10	
Output Load (CMOS)	pF			15	
Output Logic Levels	V	0.9*V _{DD}		0.1*V _{DD}	
Rise (T _R) and Fall (T _F) Time	ns			5	
Symmetry (Duty Cycle)	%	45	50	55	
Tri-State Input Voltage	V	0.7*V _{DD}		0.3*V _{DD}	
Start-Up Time	ms			2	
VC Input Impedance (VCTCXO)	k Ω	100			
Phase Noise (Typical)	dBc/Hz		-120	-148	
			-140		
			-148		

OUTLINE DRAWING

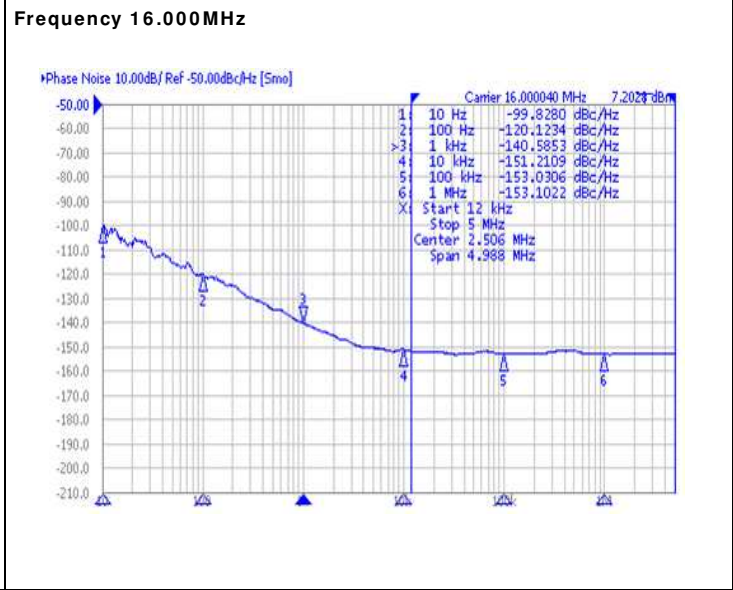
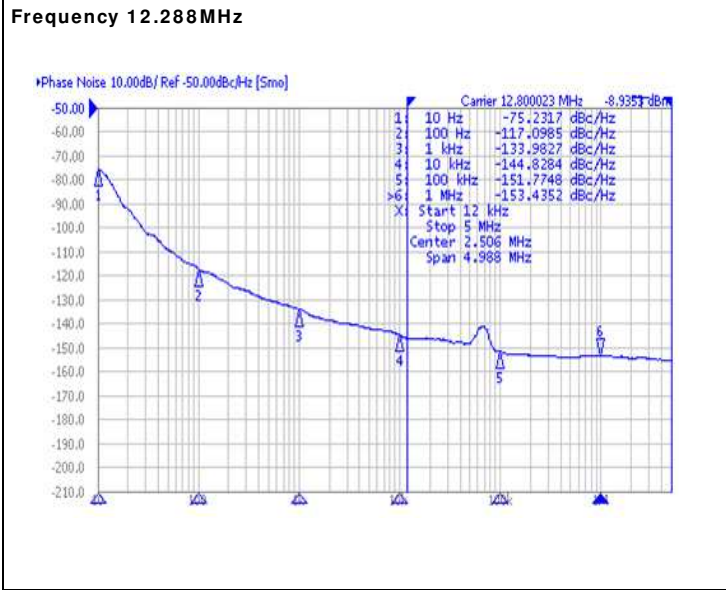
RECOMMENDED LAND PATTERN

PIN	FUNCTION
1	NC
4	GND
5	OUTPUT
8	TRI-STATE
9	V _{DD}
10	V _C (VCTCXO) or GND (TCXO)

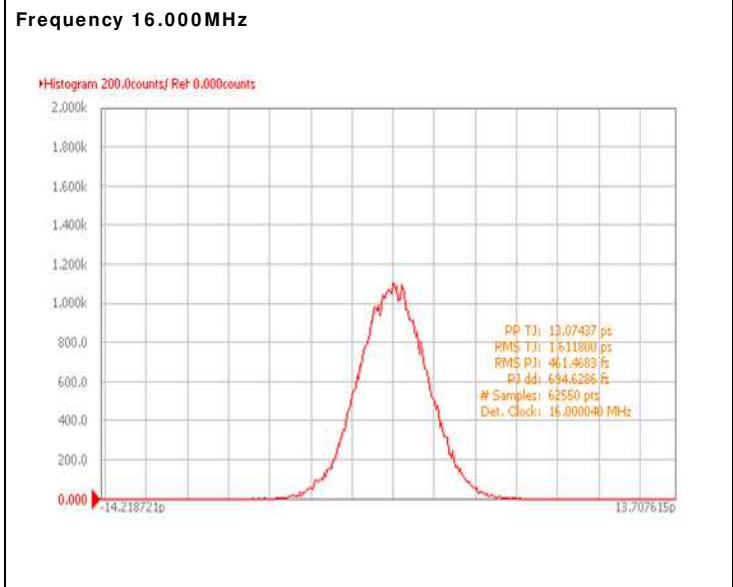
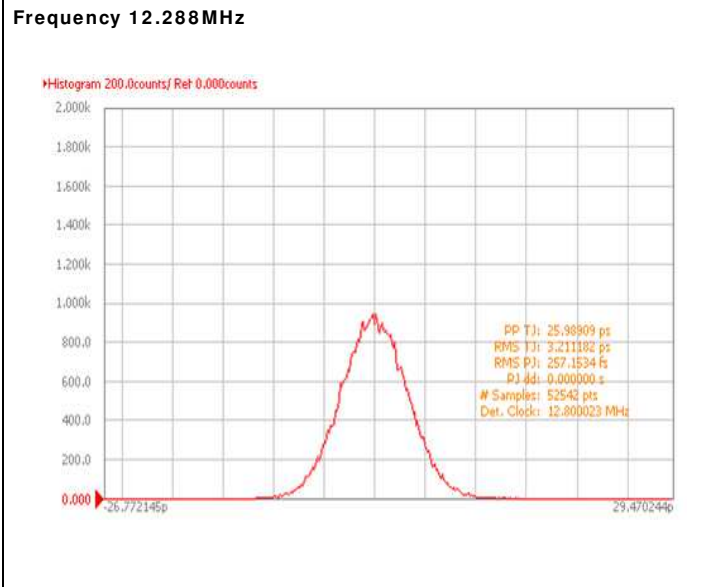
TEST CIRCUIT (CMOS) WAVEFORM (CMOS)



TYPICAL PHASE NOISE PERFORMANCE (MEASURED BY AGILENT E5052A)



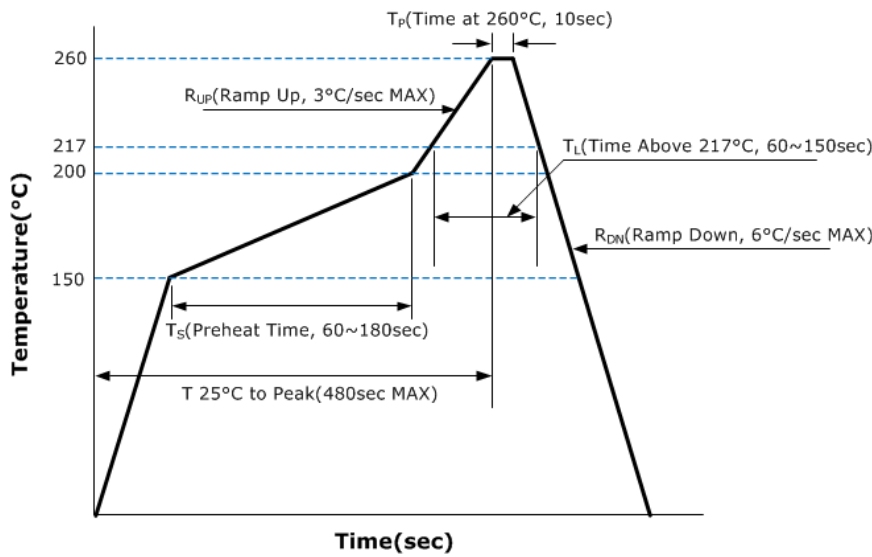
TYPICAL JITTER PERFORMANCE (MEASURED BY AGILENT E5052A)



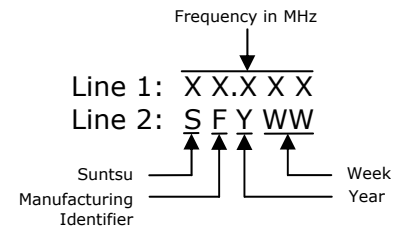
ENVIRONMENTAL & MECHANICAL SPECIFICATIONS

Temperature Cycling	MIL-STD-883, Method 1010, Condition B
Fine Leak Test	MIL-STD-883, Method 1014, Condition A
Gross Leak Test	MIL-STD-883, Method 1014, Condition C
Mechanical Shock	MIL-STD-883, Method 2002, Condition B
Vibration	MIL-STD-883, Method 2007, Condition A
Moisture Resistance	MIL-STD-883, Method 1004
Moisture Sensitivity	J-STD-020, MSL 1
Resistance to Soldering Heat	MIL-STD-202, Method 210, Condition K
Resistance to Solvents	MIL-STD-202, Method 215
Solderability	MIL-STD-883, Method 2003

REFLOW PROFILE

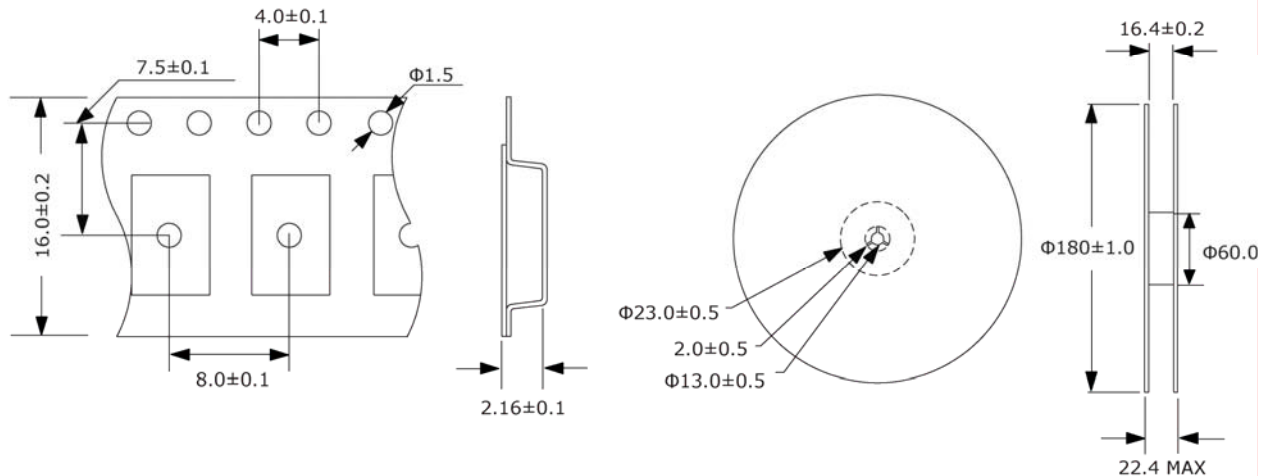


MARKING



TAPE AND REEL DIMENSIONS

1,000pcs/reel



NOTE: Dimensions in millimeters (mm); drawing is not to scale.