

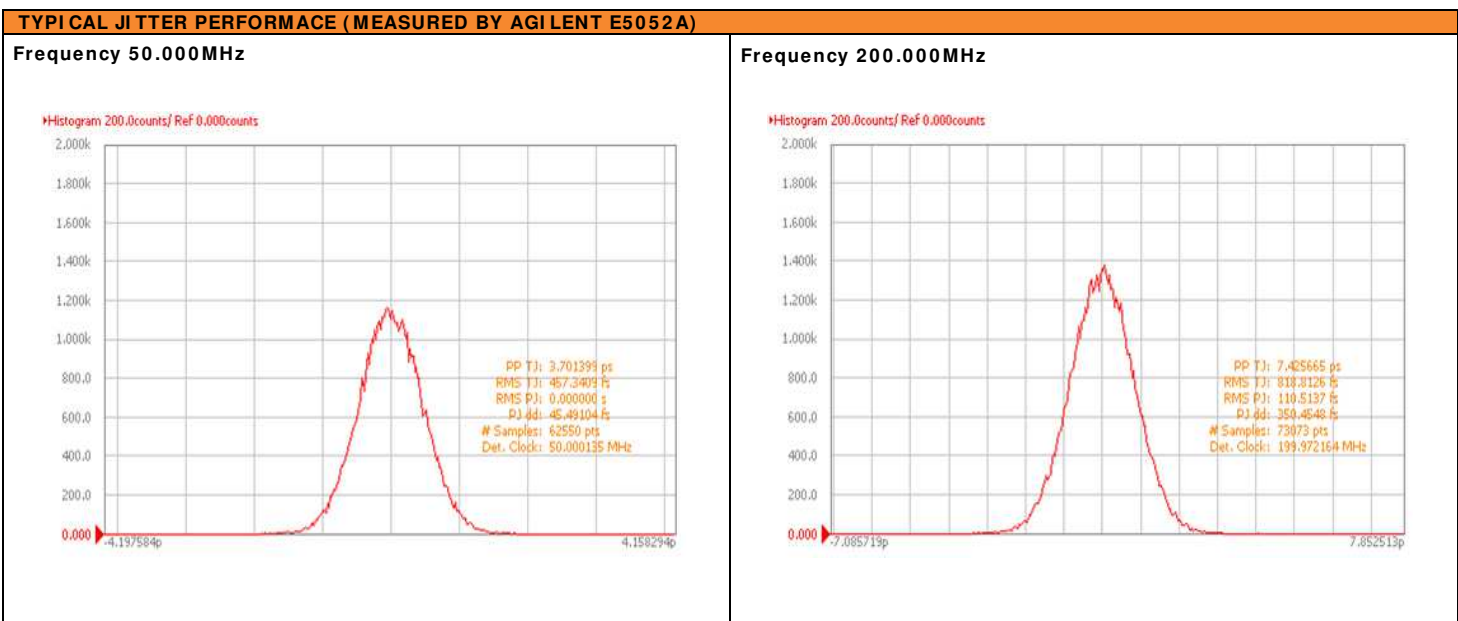
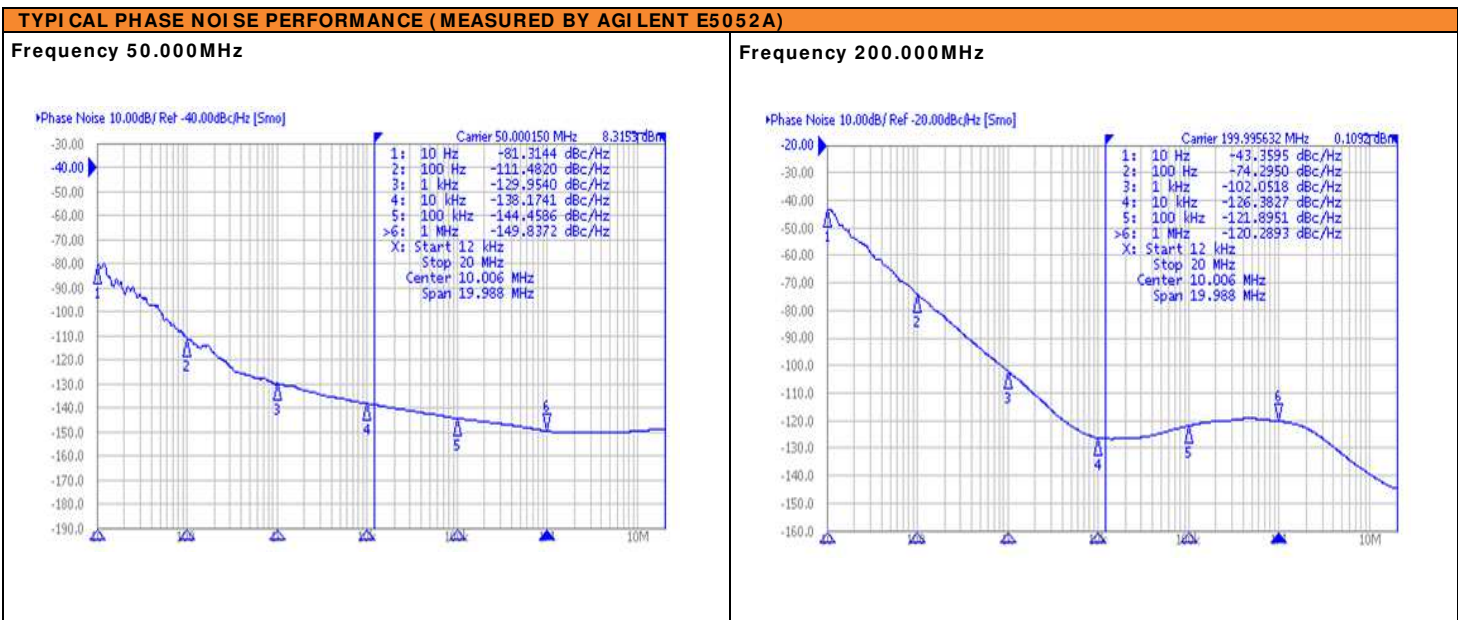
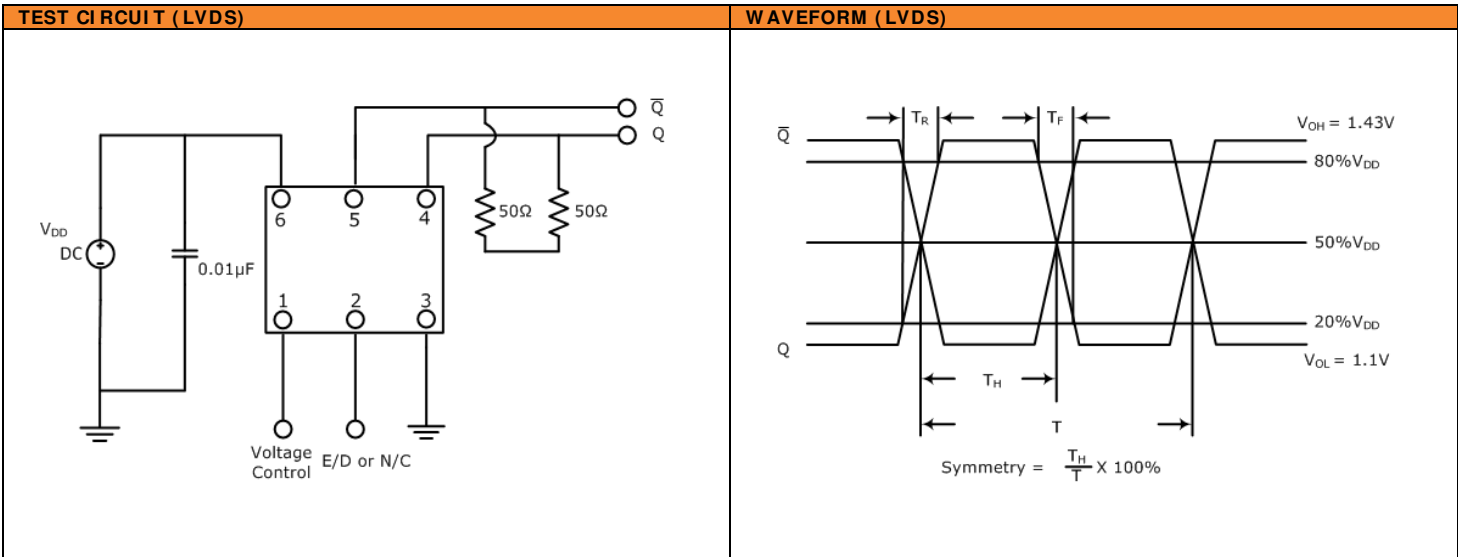
FEATURES	APPLICATIONS
<ul style="list-style-type: none"> - ± 20ppm (Frequency Stability) Available - Miniature Package - LVDS - RoHS Compliant - Fundamental or PLL (Phase Lock Loop) Available - Tape and Reel 	<ul style="list-style-type: none"> - Fiber Channel - Gigabit Ethernet - PCI Express - SONET



PART NUMBERING GUIDE	
<p>SUNTSU VCXO → SVC 75 L 3 A 48 A 2 - 67.500M ← FREQUENCY (MHz)</p> <p>7.0mm x 5.0mm</p> <p>LVDS</p> <p>SUPPLY VOLTAGE 2: 2.5V\pm5% 3: 3.3V\pm5%</p> <p>FREQUENCY STABILITY A: ± 50ppm B: ± 30ppm C: ± 25ppm *D: ± 20ppm</p>	<p>TRI-STATE (ENABLE/ DISABLE) BLANK: NO CONNECTION 2: Pin 2</p> <p>PULLABILITY A: ± 150ppm B: ± 100ppm C: ± 50ppm</p> <p>OPERATING TEMPERATURE RANGE 07: 0°C to + 70°C 16: -10°C to + 60°C 17: -10°C to + 70°C 27: -20°C to + 70°C 38: -30°C to + 85°C 48: -40°C to + 85°C</p>
<p>Cage Code: 4GUT4 To customize your parameters contact a Suntsu representative. * For frequency stability option D contact a Suntsu representative.</p>	

ELECTRICAL PARAMETERS	UNITS	MIN.	TYP.	MAX.	REMARKS
Frequency Range	MHz	9.5		800	
Frequency Stability (Includes Initial Tolerance at 25°C, Frequency Stability over Operating Temperature, Output Load Change, Supply Voltage Change, and First Year Aging at 25°C.)	ppm	-20		+20	See part numbering guide for options.
Operating Temperature	°C	-40		+85	See part numbering guide for options.
Storage Temperature		-55		+125	
Supply Voltage (V_{DD})	2.5V Option	2.375	2.5	2.625	Only available with AT-Cut Fundamental.
	3.3V Option	3.135	3.3	3.465	Available with AT-Cut Fundamental and PLL.
Current (I_{DD})	2.5V Option			50	
	3.3V Option			60	
Control Voltage (V_C)	2.5V Option	0.2		2.3	
	3.3V Option	0.3		3.0	
Pullability	ppm	± 50	± 100	± 150	See part numbering guide for options.
Linearity	%			10	
Output Load (LVPECL)	Ω			100	
Output Logic Levels	Output Logic High (V_{OH})		1.43	1.6	
	Output Logic Low (V_{OL})	0.9	1.1		
Rise (T_R) and Fall (T_F) Time	ns		0.4	0.8	Measured at 20% to 80% of Waveform.
Symmetry (Duty Cycle)	%	45	50	55	
Tri-State Input Voltage	Enable	0.7* V_{DD}			No Connection.
	Disable			0.3* V_{DD}	
Start-Up Time	ms			10	
Phase Jitter (12kHz ~ 20MHz)			0.4	1	AT-Cut Fundamental.
			3	5	PLL (Phase Lock Loop).

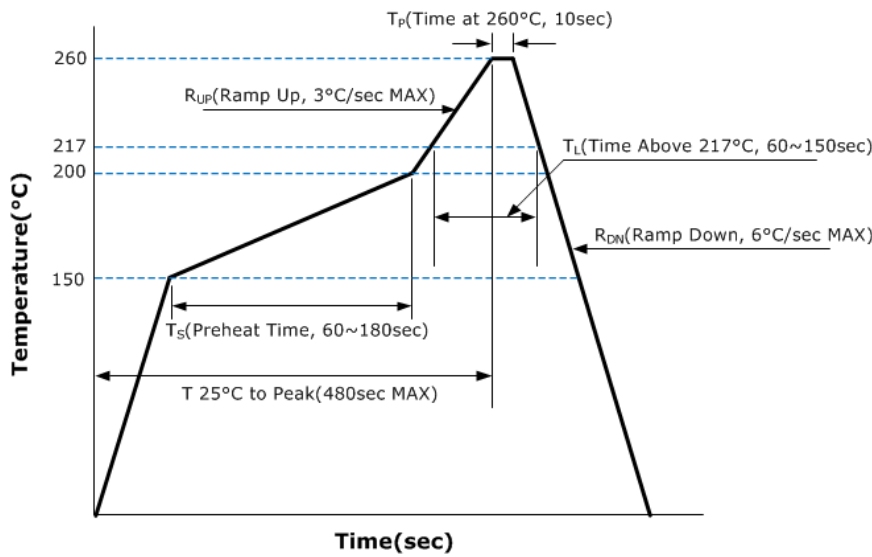
OUTLINE DRAWING															
	<p>RECOMMENDED LAND PATTERN</p>														
<p>NOTE: Dimensions in millimeters (mm).</p>	<table border="1"> <thead> <tr> <th>PIN</th> <th>FUNCTION</th> </tr> </thead> <tbody> <tr> <td>1</td> <td>VOLTAGE CONTROL</td> </tr> <tr> <td>2</td> <td>TRI-STATE or NC</td> </tr> <tr> <td>3</td> <td>GND</td> </tr> <tr> <td>4</td> <td>OUTPUT</td> </tr> <tr> <td>5</td> <td>COMP OUTPUT</td> </tr> <tr> <td>6</td> <td>V_{DD}</td> </tr> </tbody> </table>	PIN	FUNCTION	1	VOLTAGE CONTROL	2	TRI-STATE or NC	3	GND	4	OUTPUT	5	COMP OUTPUT	6	V_{DD}
PIN	FUNCTION														
1	VOLTAGE CONTROL														
2	TRI-STATE or NC														
3	GND														
4	OUTPUT														
5	COMP OUTPUT														
6	V_{DD}														



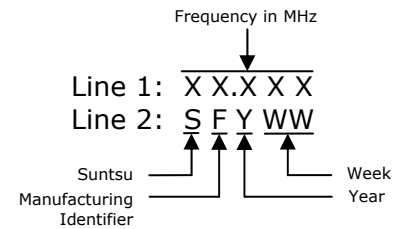
ENVIRONMENTAL & MECHANICAL SPECIFICATIONS

Temperature Cycling	MIL-STD-883, Method 1010, Condition B
Fine Leak Test	MIL-STD-883, Method 1014, Condition A
Gross Leak Test	MIL-STD-883, Method 1014, Condition C
Mechanical Shock	MIL-STD-883, Method 2002, Condition B
Vibration	MIL-STD-883, Method 2007, Condition A
Moisture Resistance	MIL-STD-883, Method 1004
Moisture Sensitivity	J-STD-020, MSL 1
Resistance to Soldering Heat	MIL-STD-202, Method 210, Condition K
Resistance to Solvents	MIL-STD-202, Method 215
Solderability	MIL-STD-883, Method 2003

REFLOW PROFILE

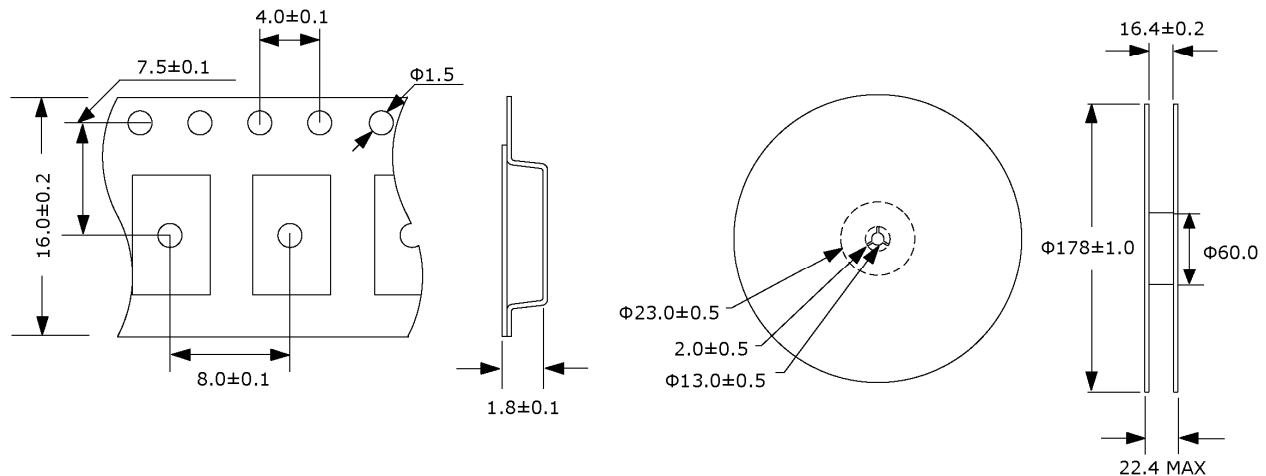


MARKING



TAPE AND REEL DIMENSIONS

1,000pcs/reel



NOTE: Dimensions in millimeters (mm); drawing is not to scale.