

FEATURES	APPLICATIONS
<ul style="list-style-type: none"> - ±20ppm (Tolerance) Available - Gull-Wing Leads for SMD Type - RoHS Compliant - Reflow Capable - Tape and Reel 	<ul style="list-style-type: none"> - Real Time Clock - Measurement Instruments - Wireless Applications



PART NUMBERING GUIDE

SUNTSU WATCH CRYSTAL GULL-WING → **SWG 62 2 12 D 48 P - 32.768k** ← **FREQUENCY (kHz)**

6.3mm x 2.5mm (points to SWG)

2 LEAD (points to 62)

LOAD CAPACITANCE

- 12: 12.5pF
- 10: 10.0pF
- 7: 7.0pF
- 6: 6.0pF

SOLDER OPTION

- BLANK: Pb Free
- P: Pb Included

OPERATING TEMPERATURE RANGE

- 16: -10°C to + 60°C
- 48: -40°C to + 85°C

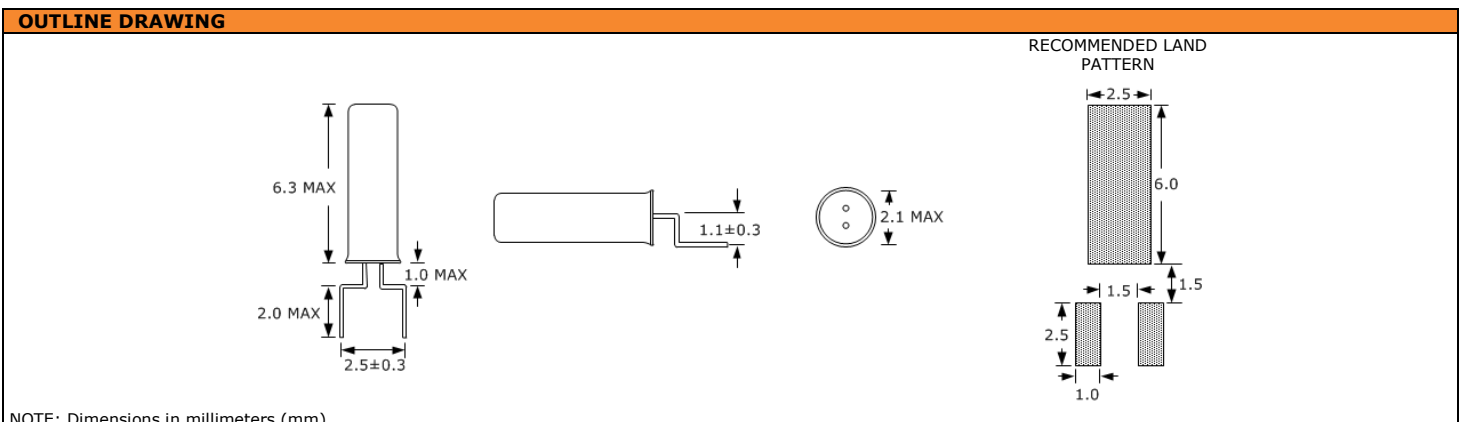
FREQUENCY TOLERANCE

- D: ±20ppm
- F: ±10ppm

Cage Code: 4GUT4
To customize your parameters contact a Suntsu representative.

ELECTRICAL PARAMETERS	UNITS	MIN.	TYP.	MAX.	REMARKS
Frequency	kHz		32.768		
Frequency Tolerance at +25°C	ppm	-20		+20	See part numbering guide for options.
Frequency Stability vs. Aging	ppm	-3		+3	First year @ +25°C.
Frequency Coefficient (β)	ppm/T ²	-0.040	-0.034	-0.028	
Operating Temperature	°C	-40		+85	See part numbering guide for options.
Turnover Temperature	°C	+20	+25	+30	
Storage Temperature	°C	-55		+125	
Load Capacitance	pF	6		12.5	See part numbering guide for options.
Shunt Capacitance	pF		1.5		
Drive Level	μW			1	
Insulation Resistance	MΩ	500			@ 100V _{DC} ± 15V.
Equivalent Series Resistance	kΩ			50	

OUTLINE DRAWING



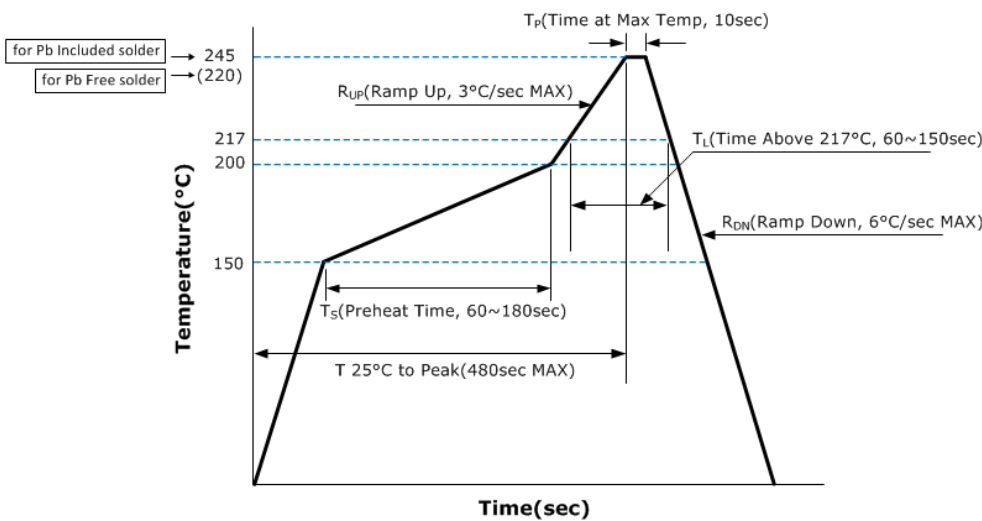
RECOMMENDED LAND PATTERN

NOTE: Dimensions in millimeters (mm).

ENVIRONMENTAL & MECHANICAL SPECIFICATIONS

Temperature Cycling	MIL-STD-883, Method 1010, Condition B
Fine Leak Test	MIL-STD-883, Method 1014, Condition A
Gross Leak Test	MIL-STD-883, Method 1014, Condition C
Mechanical Shock	MIL-STD-202, Method 213, Condition B
Vibration	MIL-STD-883, Method 2007, Condition A
Moisture Resistance	MIL-STD-883, Method 1004
Moisture Sensitivity	Hermetically Sealed, MSL=N/A: Not Applicable
Resistance to Soldering Heat	MIL-STD-202, Method 210, Condition B
Resistance to Solvents	MIL-STD-202, Method 215
Solderability	MIL-STD-883, Method 2003

REFLOW PROFILE

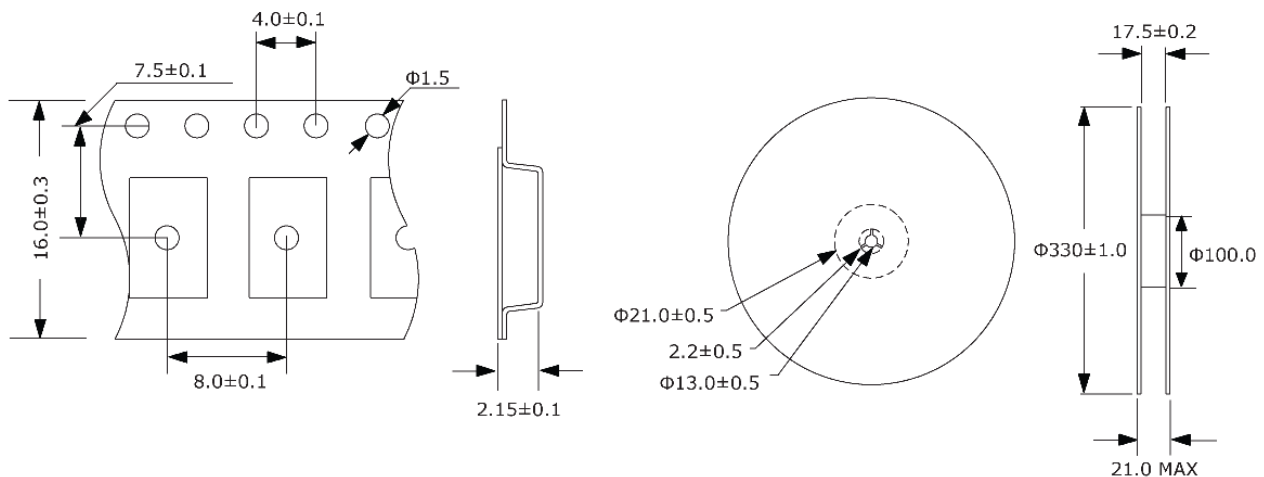


MARKING

Line 1: 32.768 Y WW
 Frequency in kHz Year Week

TAPE AND REEL DIMENSIONS

3,000pcs/reel



NOTE: Dimensions in millimeters (mm); drawing is not to scale.