

FEATURES	APPLICATIONS
<ul style="list-style-type: none"> - ±20ppm (Tolerance) Available - Plastic SMD Type - RoHS Compliant - Tape and Reel 	<ul style="list-style-type: none"> - Real Time Clock - Measurement Instruments - Wireless Applications



PART NUMBERING GUIDE

SUNTSU WATCH CRYSTAL SMT → **SWS 83 4 12 D 48 - 32.768kHz** ← **FREQUENCY (kHz)**

8.0mm x 3.8mm →

4 PAD →

LOAD CAPACITANCE

12: 12.5pF
8: 8.0pF
6: 6.0pF

OPERATING TEMPERATURE RANGE

16: -10°C to + 60°C
48: -40°C to + 85°C

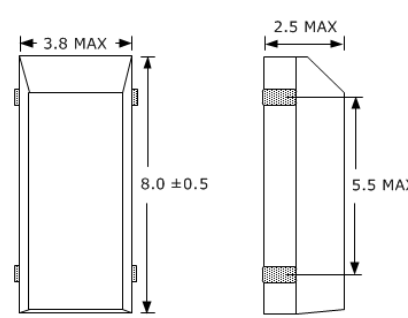
FREQUENCY TOLERANCE

D: ±20ppm
F: ±10ppm

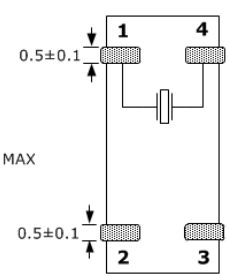
Cage Code: 4GUT4
To customize your parameters contact a Suntsu representative.

ELECTRICAL PARAMETERS	UNITS	MIN.	TYP.	MAX.	REMARKS
Frequency	kHz		32.768		
Frequency Tolerance at +25°C	ppm	-20		+20	See part numbering guide for options.
Frequency Stability vs. Aging	ppm	-3		+3	First year @ +25°C.
Frequency Coefficient (β)	ppm/T ²	-0.040	-0.034	-0.028	
Operating Temperature	°C	-40		+85	See part numbering guide for options.
Turnover Temperature	°C	+20	+25	+30	
Storage Temperature	°C	-55		+125	
Load Capacitance	pF	6		12.5	See part numbering guide for options.
Shunt Capacitance	pF		1.5		
Drive Level	μW			1	
Insulation Resistance	MΩ	500			@ 100V _{DC} ± 15V.
Equivalent Series Resistance	kΩ			50	

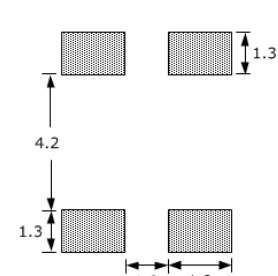
OUTLINE DRAWING



ELECTRODE ARRANGEMENT
(BOTTOM VIEW)



RECOMMENDED LAND
PATTERN

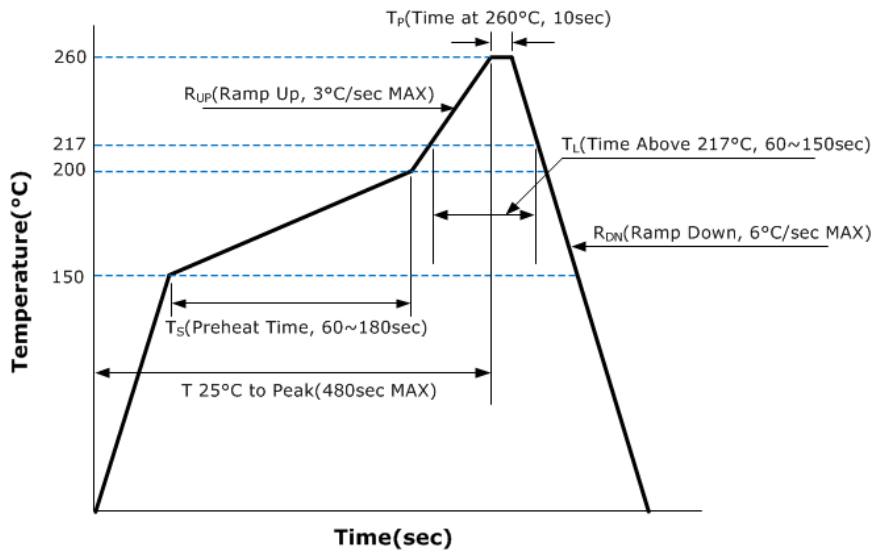


NOTE: Dimensions in millimeters (mm).

ENVIRONMENTAL & MECHANICAL SPECIFICATIONS

Temperature Cycling	MIL-STD-883, Method 1010, Condition B
Fine Leak Test	MIL-STD-883, Method 1014, Condition A
Gross Leak Test	MIL-STD-883, Method 1014, Condition C
Mechanical Shock	MIL-STD-202, Method 213, Condition B
Vibration	MIL-STD-883, Method 2007, Condition A
Moisture Resistance	MIL-STD-883, Method 1004
Moisture Sensitivity	J-STD-020, MSL 1
Resistance to Soldering Heat	MIL-STD-202, Method 210, Condition B
Resistance to Solvents	MIL-STD-202, Method 215
Solderability	MIL-STD-883, Method 2003

REFLOW PROFILE



MARKING

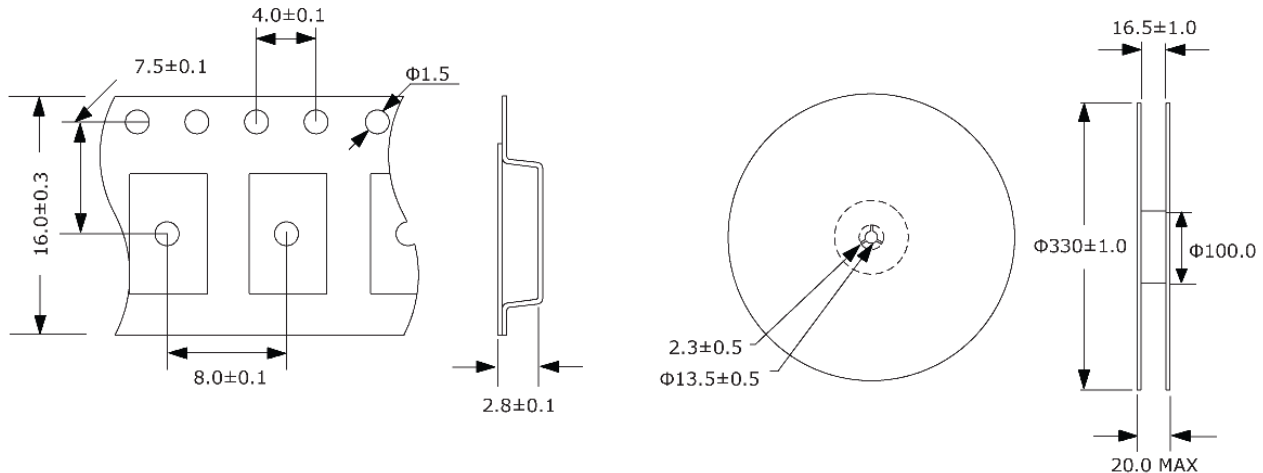
Frequency in kHz
↓

Line 1: 32.768kHz
Line 2: S Y W W

↑ ↑ ↑
Suntsu Year Week

TAPE AND REEL DIMENSIONS

3,000pcs/reel



NOTE: Dimensions in millimeters (mm); drawing is not to scale.