

FEATURES	APPLICATIONS
<ul style="list-style-type: none"> <li>±20ppm (Frequency Stability) Available</li> <li>Ceramic Package</li> <li>CMOS</li> <li>RoHS Compliant</li> <li>Tape and Reel</li> </ul>	<ul style="list-style-type: none"> <li>Micro Processors</li> <li>SONET/SDH/DWDM</li> <li>Storage Area/Networking</li> <li>Digital Video</li> <li>Base Stations</li> </ul>



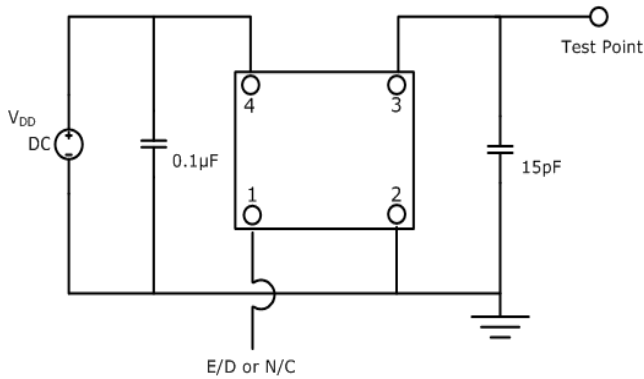
PART NUMBERING GUIDE	
<p><b>SUNTSU OSC</b> → <b>SXO 75 C 3 A 48 1 X - 25.000M</b> ← <b>FREQUENCY (MHz)</b></p> <p><b>7.0mm x 5.0mm</b></p> <p><b>CMOS</b></p> <p><b>SUPPLY VOLTAGE</b>            1: 1.8V±5%            2: 2.5V±5%            3: 3.3V±5%</p> <p><b>FREQUENCY STABILITY</b>            A: ±50ppm            B: ±30ppm            C: ±25ppm            *D: ±20ppm</p> <p>Cage Code: 4GUT4            To customize your parameters contact a Suntsu representative.            * For frequency stability option D contact a Suntsu representative.            ** For operating temperatures up to -55~125°C contact a Suntsu representative.</p>	<p><b>LOAD</b>            BLANK: 15pF            X: 30pF            Y: 50pF</p> <p><b>TRI-STATE (ENABLE/DISABLE)</b>            BLANK: NO CONNECTION            1: Pin 1</p> <p><b>OPERATING TEMPERATURE RANGE</b>            07: 0°C to +70°C            16: -10°C to +60°C            17: -10°C to +70°C            27: -20°C to +70°C            38: -30°C to +85°C            48: -40°C to +85°C</p>

ELECTRICAL PARAMETERS		UNITS	MIN.	TYP.	MAX.	REMARKS
Frequency Range		kHz	32.768			
		MHz	1		200	
Frequency Stability (Includes Initial Tolerance at 25°C, Frequency Stability over Operating Temperature, Output Load Change, Supply Voltage Change, and First Year Aging at 25°C.)		ppm	-20		+20	See part numbering guide for options.
Operating Temperature		°C	-40		+85	See part numbering guide for options.
Storage Temperature			-55		+125	
Supply Voltage (V <sub>DD</sub> )	1.8V Option	V	1.710	1.8	1.890	
	2.5V Option		2.375	2.5	2.625	
	3.3V Option		3.135	3.3	3.465	
Current (I <sub>DD</sub> )	<b>Frequency Range</b>		<b>1.8V</b>	<b>2.5V</b>	<b>3.3V</b>	
	32.768kHz	mA	5	5	5	Maximum value.
	1.0000MHz ~ 34.999MHz		8	10	16	Maximum value.
	35.000MHz ~ 59.999MHz		15	20	25	Maximum value.
	60.000MHz ~ 99.999MHz		25	30	40	Maximum value.
100.00MHz ~ 200.00MHz	35		50	65	Maximum value.	
Output Load (CMOS)		pF			15	See part numbering guide for options.
Output Logic Levels	Output Logic High (V <sub>OH</sub> )	V	0.9* V <sub>DD</sub>			
	Output Logic Low (V <sub>OL</sub> )			0.1* V <sub>DD</sub>		
Rise (T <sub>R</sub> ) and Fall (T <sub>F</sub> ) Time	32.768kHz	ns			200	
	1.0000MHz ~ 34.999MHz				10	
	35.000MHz ~ 99.999MHz				6	
	100.00MHz ~ 200.00MHz				3	
Symmetry (Duty Cycle)		%	45	50	55	
Tri-State Input Voltage	Enable	V	0.7* V <sub>DD</sub>			No Connection.
	Disable			0.3* V <sub>DD</sub>		
Start-Up Time		ms			10	
Phase Jitter (12kHz ~ 20MHz)		ps			1	

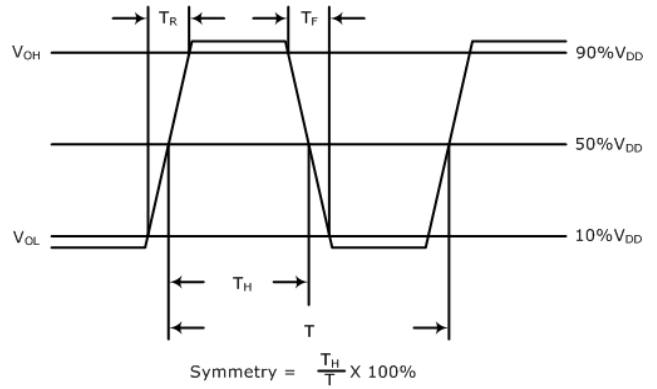
OUTLINE DRAWING											
	<p>RECOMMENDED LAND PATTERN</p>										
	<table border="1"> <thead> <tr> <th>PIN</th> <th>FUNCTION</th> </tr> </thead> <tbody> <tr> <td>1</td> <td>TRI-STATE or NC</td> </tr> <tr> <td>2</td> <td>GND</td> </tr> <tr> <td>3</td> <td>OUTPUT</td> </tr> <tr> <td>4</td> <td>V<sub>DD</sub></td> </tr> </tbody> </table>	PIN	FUNCTION	1	TRI-STATE or NC	2	GND	3	OUTPUT	4	V <sub>DD</sub>
PIN	FUNCTION										
1	TRI-STATE or NC										
2	GND										
3	OUTPUT										
4	V <sub>DD</sub>										

NOTE: Dimensions in millimeters (mm).

### TEST CIRCUIT (CMOS)

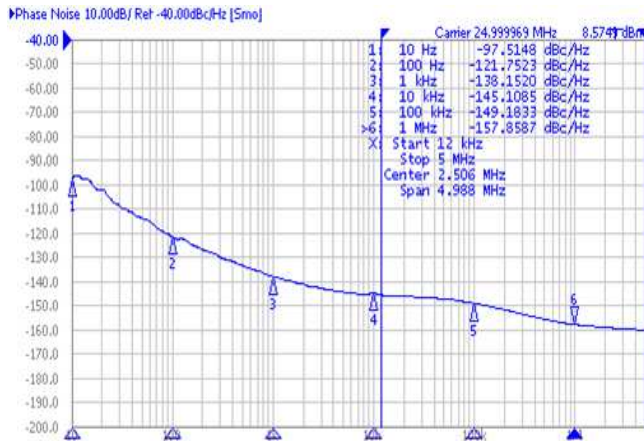


### WAVEFORM (CMOS)

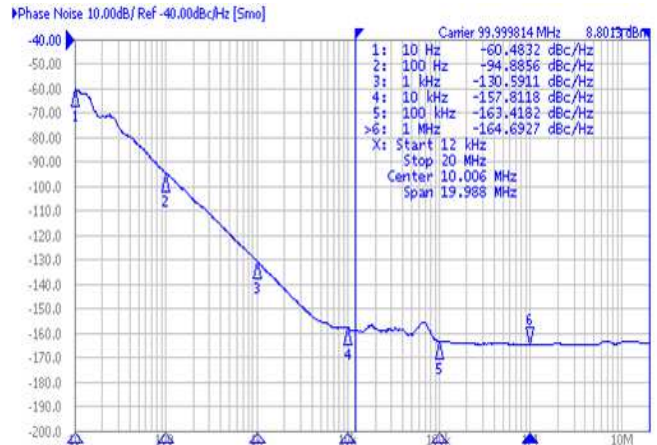


### TYPICAL PHASE NOISE PERFORMANCE (MEASURED BY AGI LENT E5052A)

#### Frequency 25.000MHz

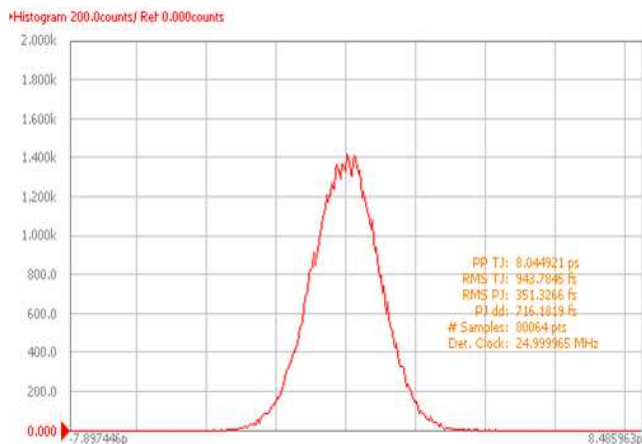


#### Frequency 100.000MHz

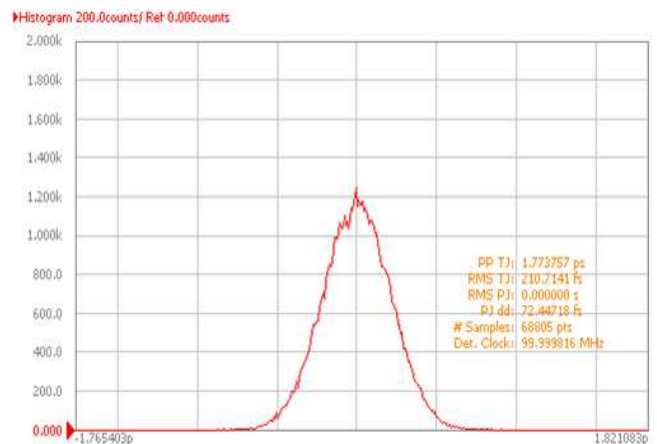


### TYPICAL JITTER PERFORMANCE (MEASURED BY AGI LENT E5052A)

#### Frequency 25.000MHz



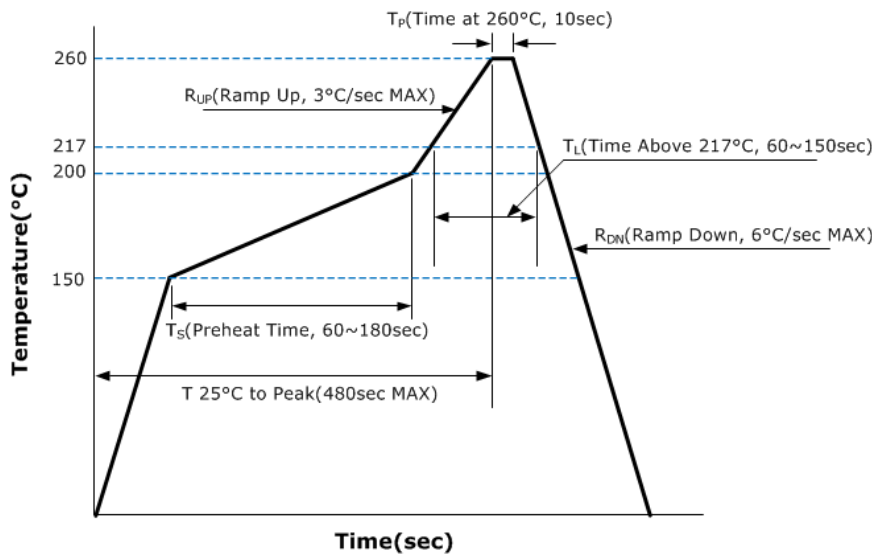
#### Frequency 100.000MHz



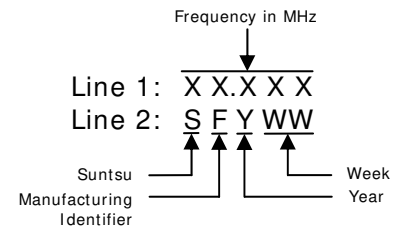
### ENVIRONMENTAL & MECHANICAL SPECIFICATIONS

Temperature Cycling	MIL-STD-883, Method 1010, Condition B
Fine Leak Test	MIL-STD-883, Method 1014, Condition A
Gross Leak Test	MIL-STD-883, Method 1014, Condition C
Mechanical Shock	MIL-STD-883, Method 2002, Condition B
Vibration	MIL-STD-883, Method 2007, Condition A
Moisture Resistance	MIL-STD-883, Method 1004
Moisture Sensitivity	J-STD-020, MSL 1
Resistance to Soldering Heat	MIL-STD-202, Method 210, Condition K
Resistance to Solvents	MIL-STD-202, Method 215
Solderability	MIL-STD-883, Method 2003

### REFLOW PROFILE

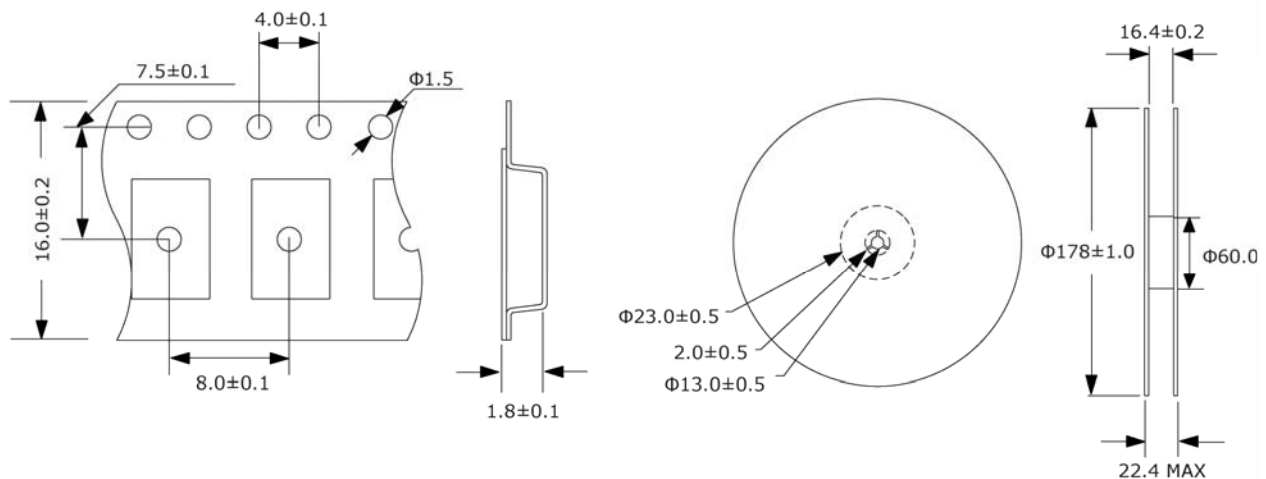


### MARKING



### TAPE AND REEL DIMENSIONS

1,000pcs/reel



NOTE: Dimensions in millimeters (mm); drawing is not to scale.