

FEATURES	APPLICATIONS
<ul style="list-style-type: none"> - ±20ppm (Frequency Stability) Available - Ceramic Package - LVDS - RoHS Compliant - Tape and Reel 	<ul style="list-style-type: none"> - Fiber Channel - Gigabit Ethernet - PCI Express



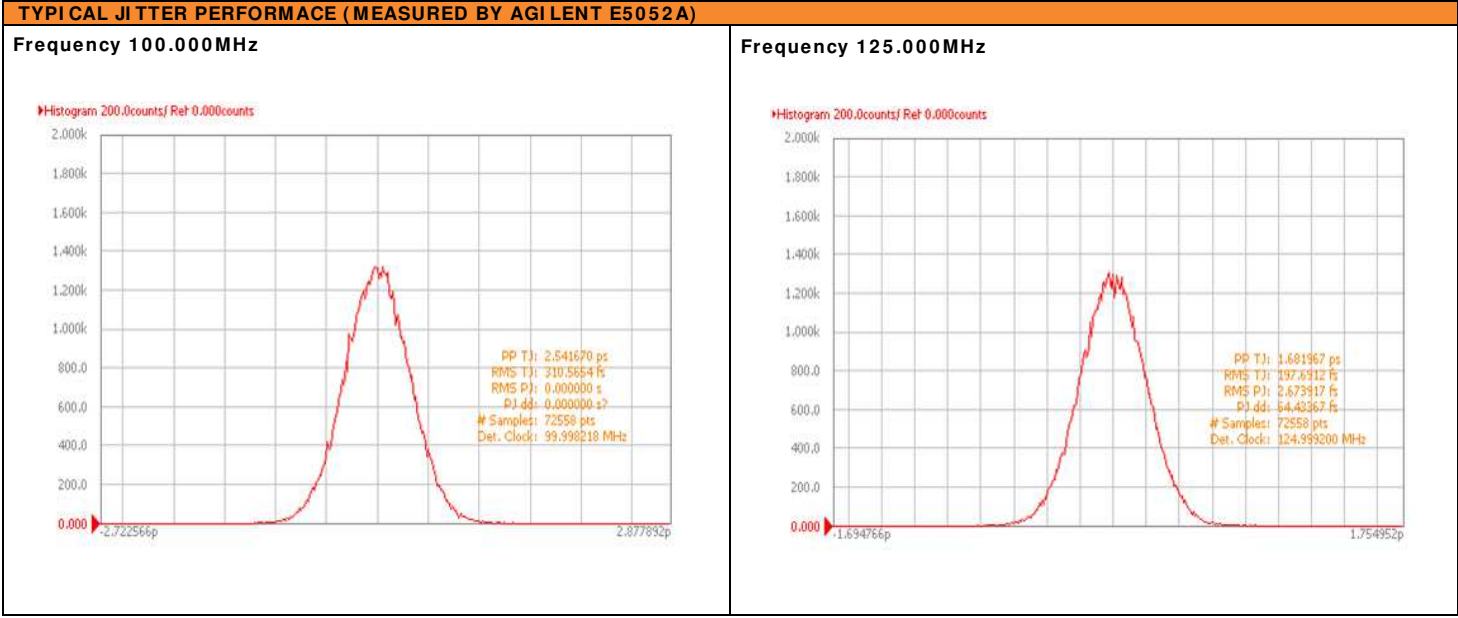
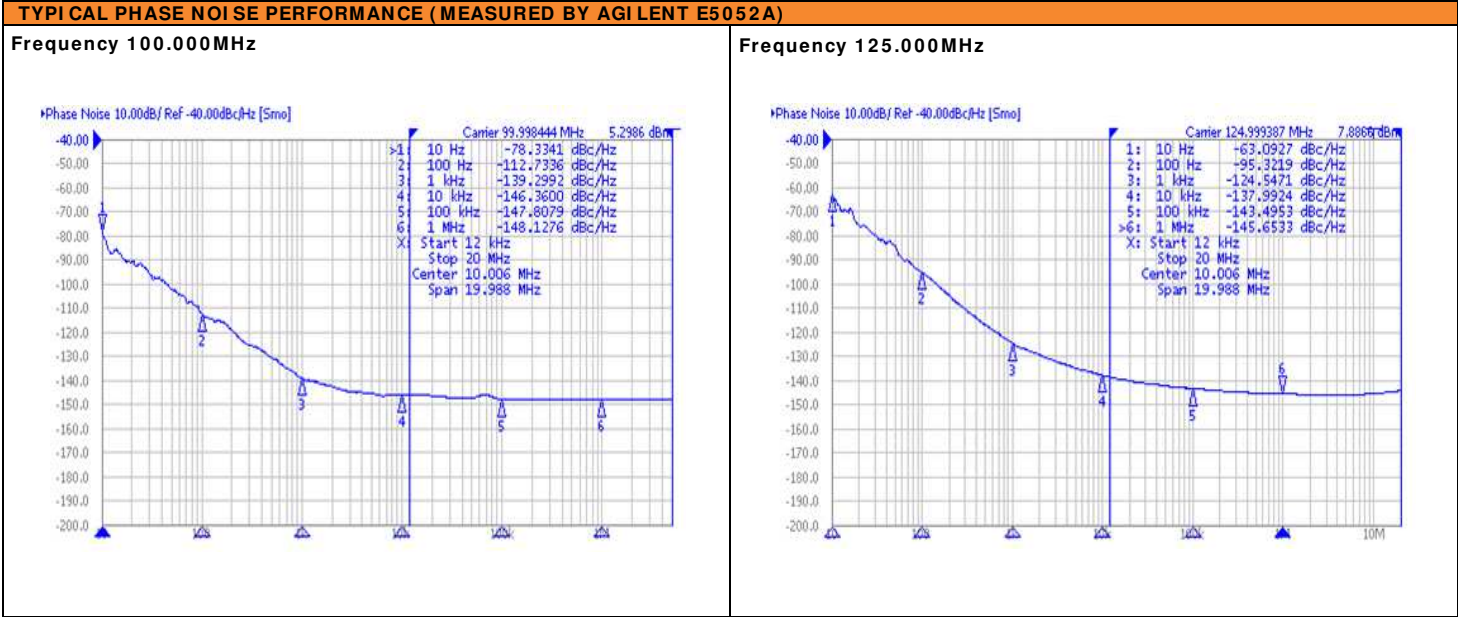
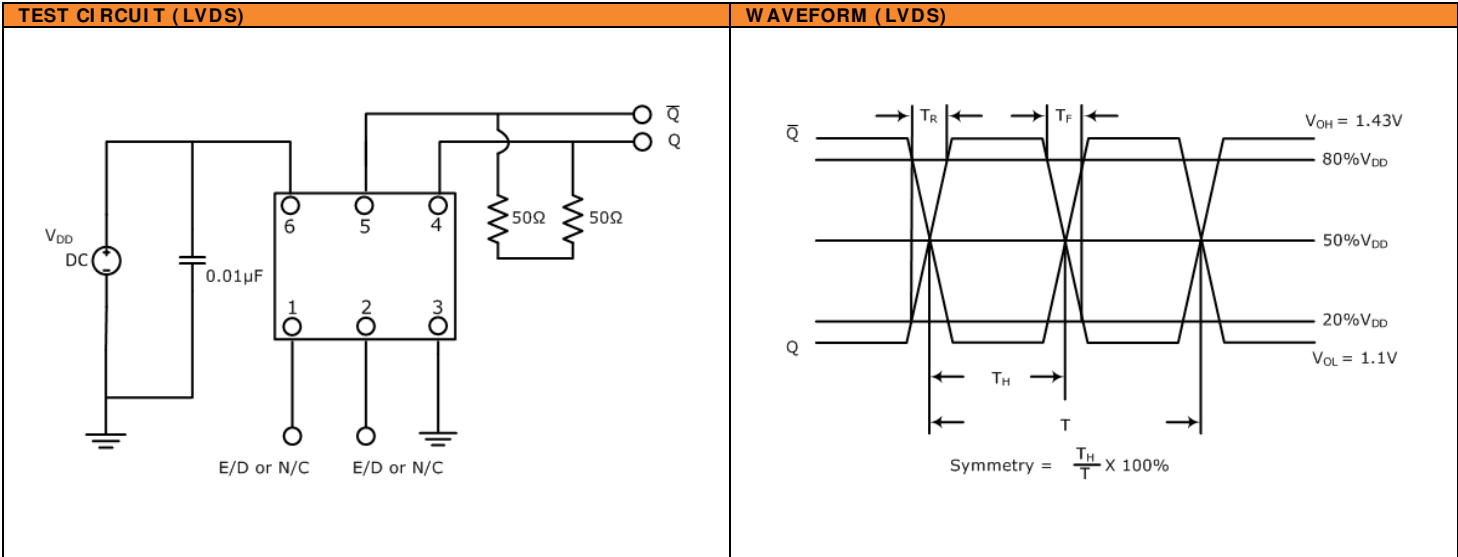
PART NUMBERING GUIDE	
<p>SUNTSU OSC → SXO 75 L 3 A 48 1 - 155.520M ← FREQUENCY (MHz)</p> <p>7.0mm x 5.0mm</p> <p>LVDS</p> <p>SUPPLY VOLTAGE 2: 2.5V±5% 3: 3.3V±5%</p> <p>FREQUENCY STABILITY A: ±50ppm B: ±30ppm C: ±25ppm *D: ±20ppm</p>	<p>TRI-STATE (ENABLE/ DISABLE) 1: Pin 1 2: Pin 2</p> <p>OPERATING TEMPERATURE RANGE 07: 0°C to + 70°C 16: -10°C to + 60°C 17: -10°C to + 70°C 27: -20°C to + 70°C 38: -30°C to + 85°C 48: -40°C to + 85°C</p>

Cage Code: 4GUT4
To customize your parameters contact a Suntsu representative.
* For frequency stability option D contact a Suntsu representative.

ELECTRICAL PARAMETERS	UNITS	MIN.	TYP.	MAX.	REMARKS
Frequency Range	MHz	20		260	
Frequency Stability (Includes Initial Tolerance at 25°C, Frequency Stability over Operating Temperature, Output Load Change, Supply Voltage Change, and First Year Aging at 25°C.)	ppm	-20		+20	See part numbering guide for options.
Operating Temperature	°C	-40		+85	See part numbering guide for options.
Storage Temperature		-55		+125	
Supply Voltage (V _{DD})	2.5V Option	2.375	2.5	2.625	
	3.3V Option	3.135	3.3	3.465	
Current (I _{DD})	2.5V Option			50	
	3.3V Option			60	
Output Load (LVDS)	Ω			100	
Output Logic Levels	Output Logic High (V _{OH})		1.43	1.6	
	Output Logic Low (V _{OL})	0.9	1.1		
Differential Output Voltage (V _{OD})	mV	247	330	454	
Differential Output Error (δV _{OD})	mV			50	
Offset Voltage (V _{OS})	V	1.125	1.250	1.375	
Offset Error (δV _{OS})	mV			50	
Rise (T _R) and Fall (T _F) Time	ns		0.4	0.8	
Symmetry (Duty Cycle)	%	45	50	55	
Tri-State Input Voltage	Enable	0.7*V _{DD}			No Connection.
	Disable			0.3*V _{DD}	
Start-Up Time	ms			10	
Phase Jitter (12kHz ~ 20MHz)	ps		0.4	1	

OUTLINE DRAWING															
	<p>RECOMMENDED LAND PATTERN</p> <table border="1"> <thead> <tr> <th>PIN</th> <th>FUNCTION</th> </tr> </thead> <tbody> <tr> <td>1</td> <td>TRI-STATE or NC</td> </tr> <tr> <td>2</td> <td>TRI-STATE or NC</td> </tr> <tr> <td>3</td> <td>GND</td> </tr> <tr> <td>4</td> <td>OUTPUT</td> </tr> <tr> <td>5</td> <td>COMP OUTPUT</td> </tr> <tr> <td>6</td> <td>V_{DD}</td> </tr> </tbody> </table>	PIN	FUNCTION	1	TRI-STATE or NC	2	TRI-STATE or NC	3	GND	4	OUTPUT	5	COMP OUTPUT	6	V _{DD}
PIN	FUNCTION														
1	TRI-STATE or NC														
2	TRI-STATE or NC														
3	GND														
4	OUTPUT														
5	COMP OUTPUT														
6	V _{DD}														

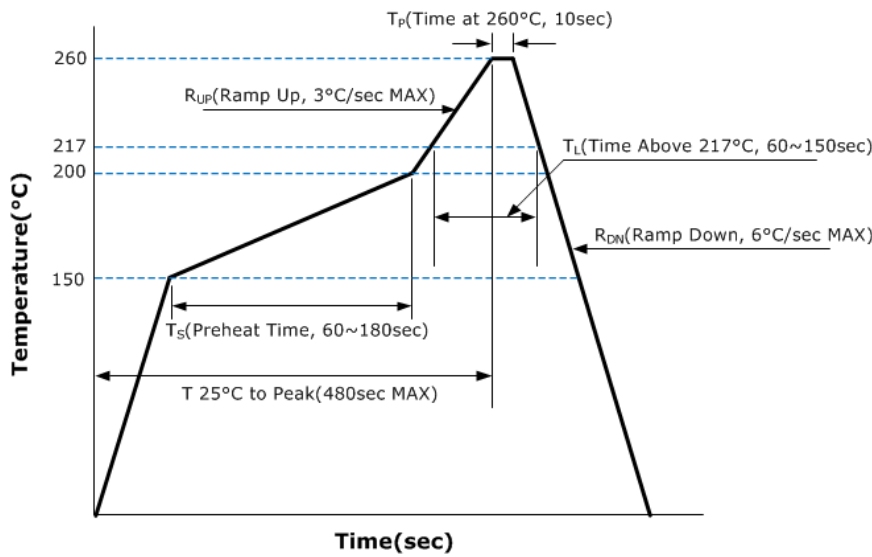
NOTE: Dimensions in millimeters (mm).



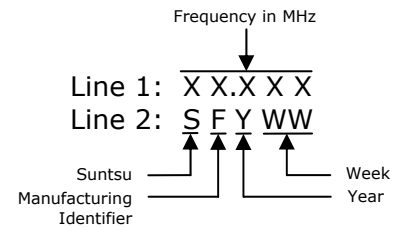
ENVIRONMENTAL & MECHANICAL SPECIFICATIONS

Temperature Cycling	MIL-STD-883, Method 1010, Condition B
Fine Leak Test	MIL-STD-883, Method 1014, Condition A
Gross Leak Test	MIL-STD-883, Method 1014, Condition C
Mechanical Shock	MIL-STD-883, Method 2002, Condition B
Vibration	MIL-STD-883, Method 2007, Condition A
Moisture Resistance	MIL-STD-883, Method 1004
Moisture Sensitivity	J-STD-020, MSL 1
Resistance to Soldering Heat	MIL-STD-202, Method 210, Condition K
Resistance to Solvents	MIL-STD-202, Method 215
Solderability	MIL-STD-883, Method 2003

REFLOW PROFILE

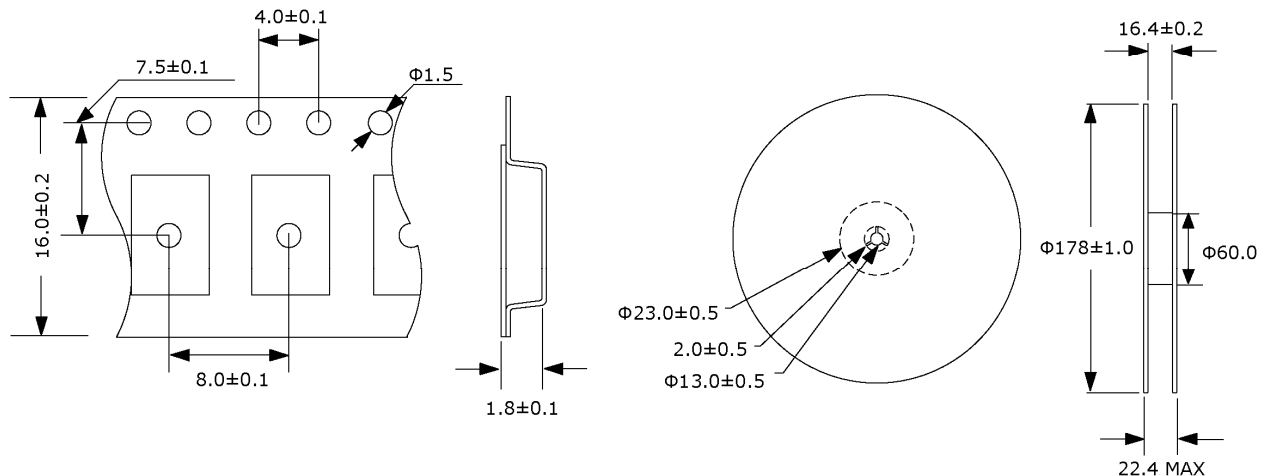


MARKING



TAPE AND REEL DIMENSIONS

1,000pcs/reel



NOTE: Dimensions in millimeters (mm); drawing is not to scale.